

FIGURE 3 - PARTS LIST: MK-4030KBG CONCRETE SAW P/N 167420-30G

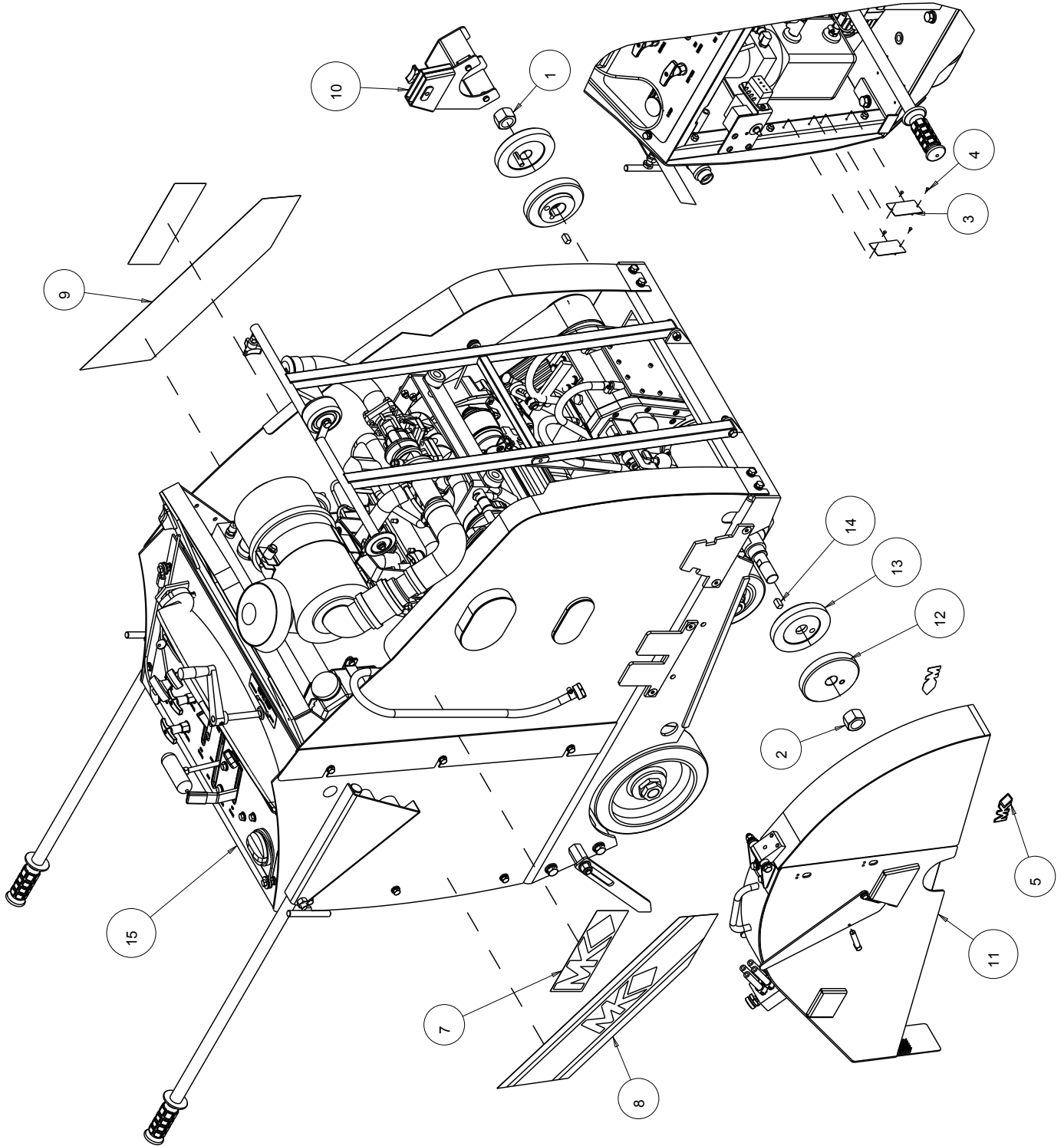
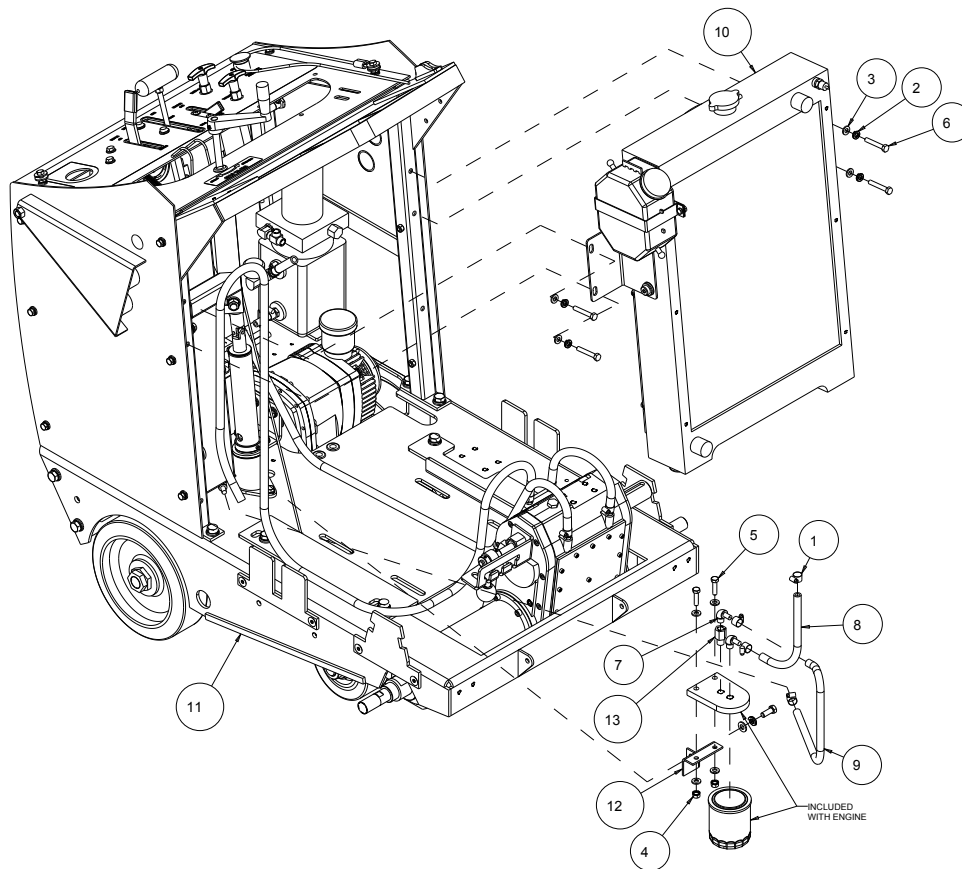


FIGURE 3 - PARTS LIST: MK-4030KBG CONCRETE SAW P/N 167420-30G

| ITEM NO. | DESCRIPTION | PART # | QTY. REQ. |
|----------|-----------------------------------|--------------|-----------|
| 1 | NUT, 1 - 14 RIGHT HAND | 138693 | 1 |
| 2 | NUT, 1 - 14 LEFT HAND | 138701 | 1 |
| 3 | TAG, SERIAL #, BLANK | 157500-RW | 2 |
| 4 | DRIVE SCREW, #7 X 5/16 ROUND HEAD | 157849 | 4 |
| 5 | LOGO, MK ADHESIVE | 157914 | 2 |
| 6 | SHEET, LABEL, MK LOGO, 400 | 165709 | 2 |
| 7 | LABEL, MK LOGO | 165709 | 2 |
| 8 | LABEL, RIGHT TOWER | 165709 | 1 |
| 9 | LABEL, LEFT TOWER | 165709 | 1 |
| 10 | ASSY, SHAFT GUARD | 166056 | 1 |
| 11 | ASSY, BLADE GUARD 30", WHITE | 168279-30-WH | 1 |
| 12 | ASSY, FLANGE, KEYED, OUTER, 5" | 168596-5 | 2 |
| 13 | FLANGE, KEYED, INNER, 5" | 168598-5 | 2 |
| 14 | KEY, SQR, 3/8 X 3/4 | 169371 | 2 |
| 15 | MK-4000KBG CONC SAW-PARENT | 167420G | 1 |

FIGURE 5A - PARTS LIST: MK-4400GD CONCRETE SAW P/N 167420G



| ITEM NO. | DESCRIPTION | PART #. | QTY. REQ. |
|----------|--|-----------|-----------|
| 1 | CLAMP, HOSE, 5/8 | 151198 | 4 |
| 2 | WASHER, FLAT, SPLIT, 5/16 | 151747 | 4 |
| 3 | WASHER, LOCK, SAE, 5/16 | 151754 | 8 |
| 4 | NUT, HEX, TW, 5/16 - 18 | 153942 | 2 |
| 5 | SCREW, 5/16 - 18 X 1 -1/4 HEX HEAD MACHINE | 153950 | 2 |
| 6 | SCREW, 5/16 - 18 X 2 HEX HEAD | 155494 | 4 |
| 7 | ELBOW, 1/4 MNPT X 5/16 BARB, BRASS | 164278 | 2 |
| 8 | HOSE, 5/16 FUEL, 12" | 164958 | 1 |
| 9 | HOSE, 5/16 FUEL, 12" | 164958 | 1 |
| 10 | ASSY, RADIATOR, KB | 167946-KB | 1 |
| 11 | ASSY, 4000HY/KBG SUB | 168905 | 1 |
| 12 | BRACKET, FUEL FILTER, KB | 169350 | 1 |
| 13 | FITTING, 3/8 MNPT X 1/4 FNPT | 169703 | 1 |

FIGURE 5B - PARTS LIST: MK-4400GD CONCRETE SAW P/N 167420G

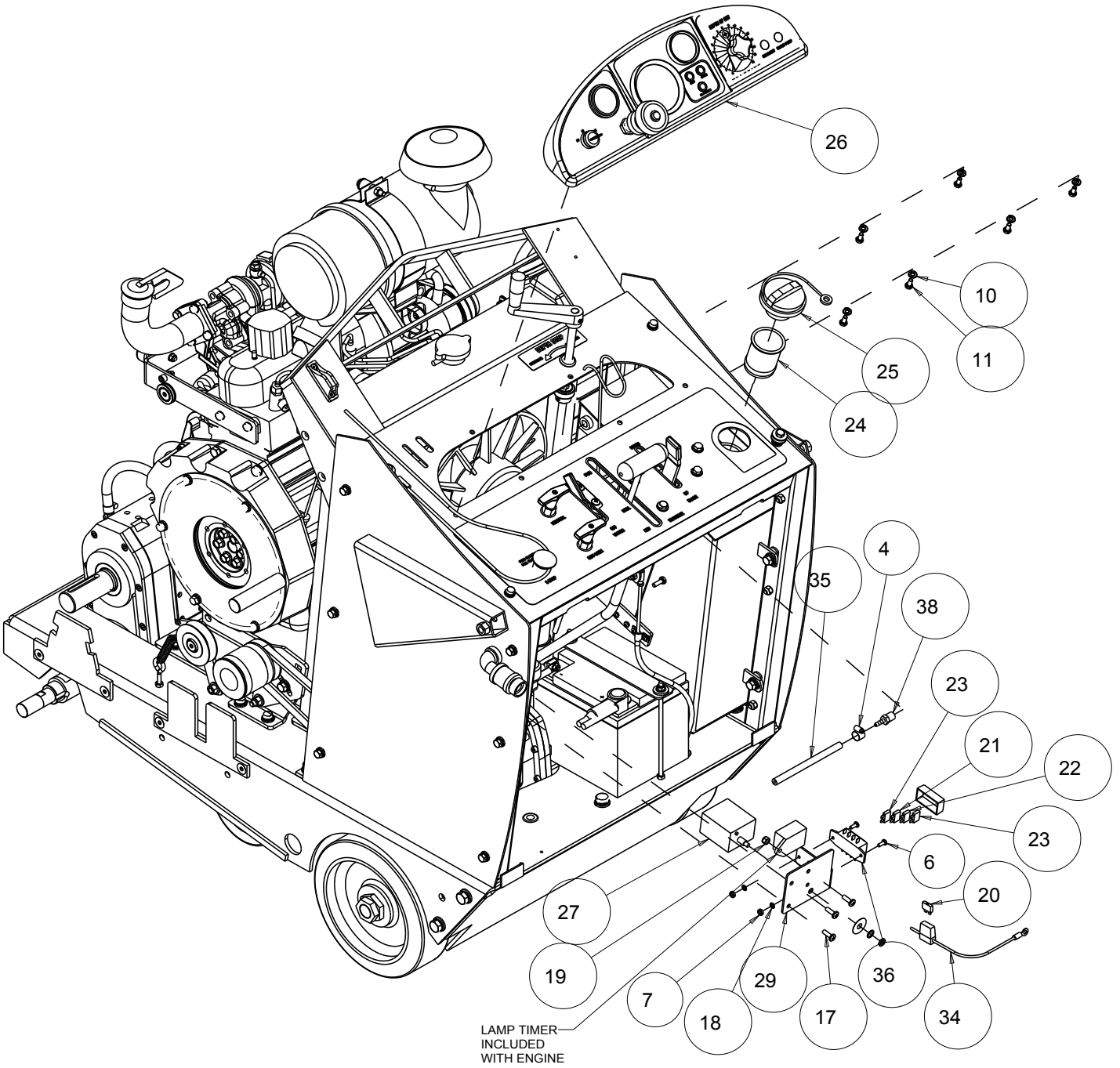


FIGURE 5B - PARTS LIST: MK-4400GD CONCRETE SAW P/N 167420G

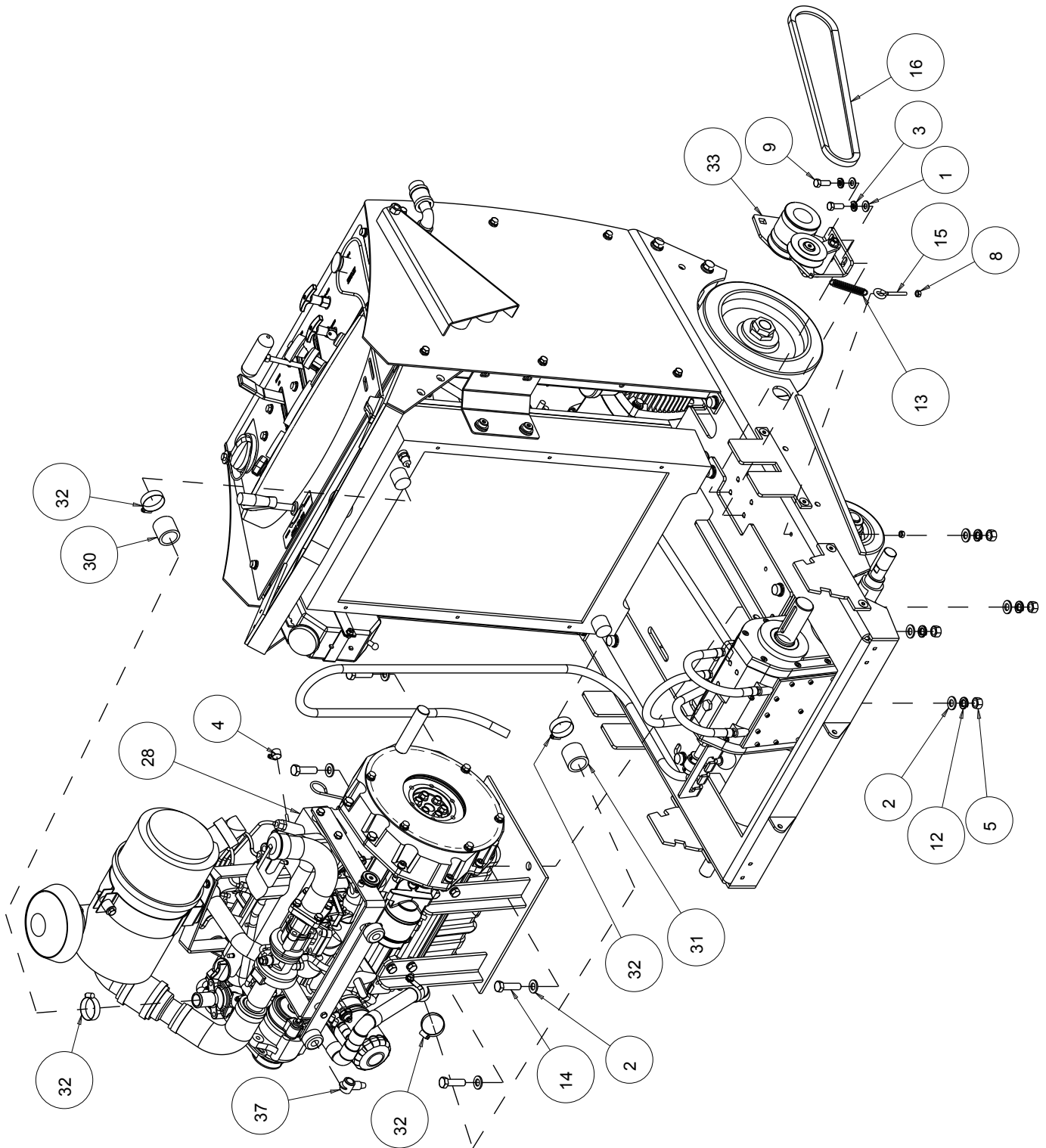


FIGURE 5B - PARTS LIST: MK-4400GD CONCRETE SAW P/N 167420G

| ITEM NO. | DESCRIPTION | PART #. | QTY. REQ. |
|----------|--|------------|-----------|
| 1 | WASHER, 3/8 SAE FLAT | 150923 | 2 |
| 2 | WASHER, 1/2 SAE FLAT | 150924 | 8 |
| 3 | WASHER, LOCK, SPLIT, 3/8 | 150925 | 2 |
| 4 | CLAMP, HOSE, 5.8 | 151198 | 2 |
| 5 | NUT, 1/2 - 13 HEX | 151282 | 4 |
| 6 | SCREW, PAN HD, #10 - 24 X 1/2 | 151744 | 2 |
| 7 | NUT, HEX, 10 - 24 | 151749 | 2 |
| 8 | NUT, HEX, 1/4 - 20 | 151893 | 2 |
| 9 | SCREW, HEX HD CAP, 3.8 - 16 X 1 | 152507 | 2 |
| 10 | WASHER, LOCK, SPLIT, 1/4 | 152591 | 6 |
| 11 | SCREW, 1/4 - 20 X 1/2 HEX HEAD | 152608 | 6 |
| 12 | WASHER, 1/2 SPLIT LOCK | 153524 | 4 |
| 13 | SPRING, 9/16 X 2.5 EXTENSION | 153807 | 1 |
| 14 | SCREW, 1/2 - 13 X 1 - 3/4 HEX HEAD CAP | 153853 | 4 |
| 15 | EYEBOLT, 1/4 - 20 X 2 | 153887 | 1 |
| 16 | BELT, AX-37 | 154445 | 1 |
| 17 | SCREW, PAN HD, 1/4 - 20 X 3/4 | 157523 | 3 |
| 18 | WASHER, LOCK, IT , #10 | 158336 | 2 |
| 19 | NUT, HEX, NYLK, 1/4 - 20 | 159857 | 1 |
| 20 | FUSE, 40A ATC BLADE | 164595 | 1 |
| 21 | FUSE, 20A ATC BLADE | 164596 | 1 |
| 22 | FUSE, 10A ATC BLADE | 164597 | 1 |
| 23 | FUSE, 5A ATC BLADE | 164598 | 2 |
| 24 | NECK, 2: FUEL FILLER | 167219-D | 1 |
| 25 | CAP, 2" FUEL FILLER | 167220 | 1 |
| 26 | ASSY, INSTRUMENT PANEL | 167222 | 1 |
| 27 | SWITCH, MAGNETIC, 12/24V, MDL117 | 167502 | 1 |
| 28 | ASSY, ENGINE, 44HP KBG | 167507-GBX | 1 |
| 29 | BRACKET, FUSEBOX, KD | 167536 | 1 |
| 30 | HOSE, RADIATOR, 1 - 1/4ID, UPPER, KB | 167559 | 1 |
| 31 | HOSE, RADIATOR, 1 - 1/4ID, LOWER, KB | 167560 | 1 |
| 32 | CLAMP, 1 - 1/16 TO 2 HOSE | 167617 | 4 |
| 33 | ASSY, TRANS IDLER, KB | 167666 | 1 |
| 34 | WIRE HARNESS, KB | 167672 | 1 |
| 35 | HOSE, FUEL, 3/16ID (6.0') | 167674 | 1 |
| 36 | BLOCK, FUSE, 4 - SLOT | 169148 | 1 |
| 37 | COVER, 8 - 4 AWG TERMINAL, RED | 169355 | 1 |
| 38 | FITTING, 1/4 MNPT X 3/16 BARB | 169361 | 1 |

FIGURE 5C - PARTS LIST: MK-4400GD CONCRETE SAW P/N 167420G

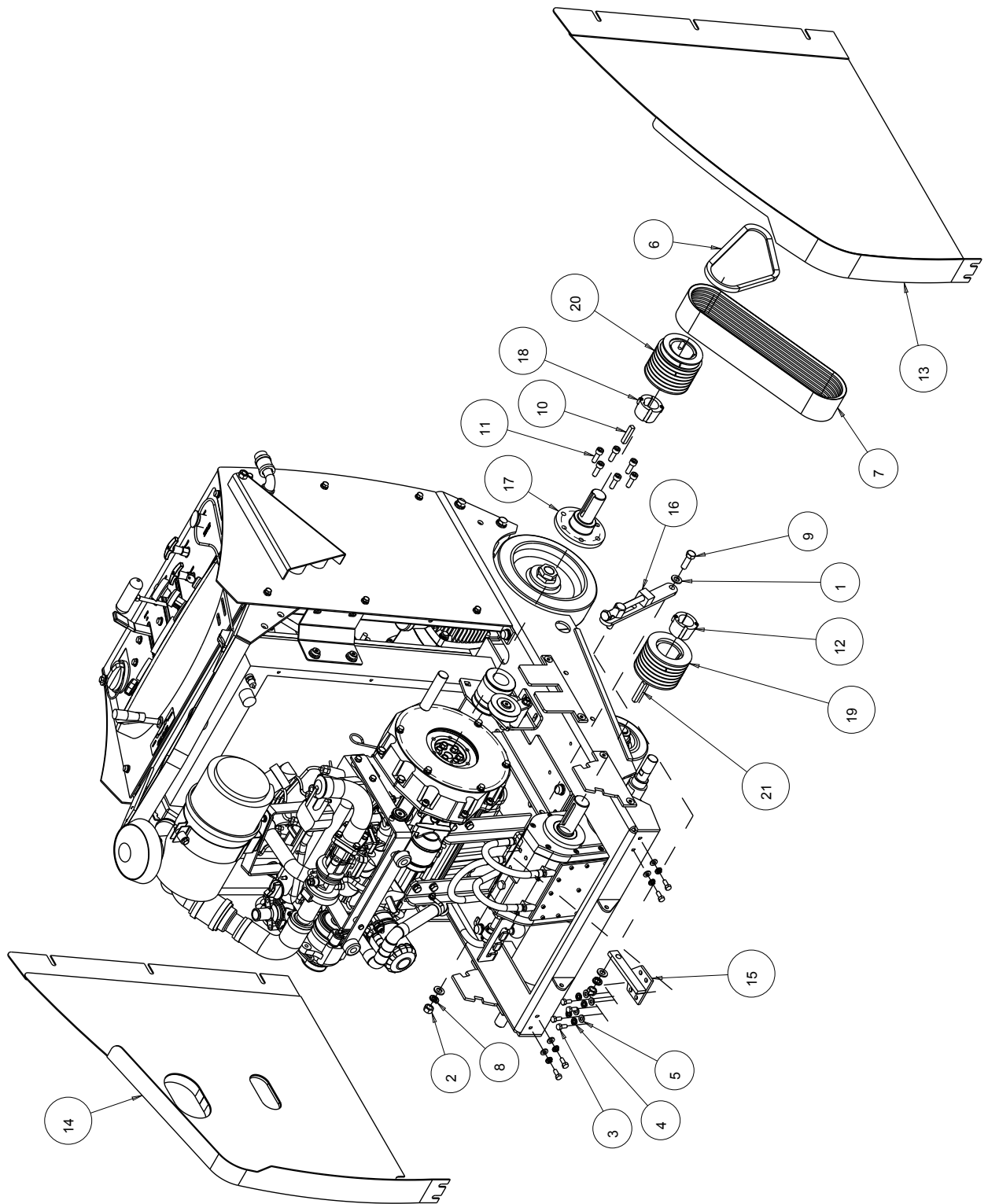


FIGURE 5C - PARTS LIST: MK-4400GD CONCRETE SAW P/N 167420G

| ITEM NO. | DESCRIPTION | PART # | QTY. REQ. |
|----------|---|----------|-----------|
| 1 | WASHER, 1/2 SAE FLAT | 150924 | 2 |
| 2 | NUT, 1/2 - 13 HEX | 151282 | 1 |
| 3 | SCREW, HEX HD, CAP, 5/16 - 18 X 3/4 | 151369 | 8 |
| 4 | WASHER, LOCK, SPLIT, 5/16 | 151747 | 8 |
| 5 | WASHER, FLAT, SAE, 5/16 | 151754 | 8 |
| 6 | BELT, AX-26 | 152365 | 1 |
| 7 | BELT, 7/3VX400 | 152478-7 | 1 |
| 8 | WASHER, 1/2 SPLIT LOCK | 153524 | 1 |
| 9 | SCREW, 1/2 - 13 X 1 - 1/2 HEX FLANGE HEAD, RIGHT HAND | 160819 | 1 |
| 10 | KEY, 3/8 SQUARE X 2 | 162620 | 1 |
| 11 | SCREW, SOC HD, M10 - 1.25 X 30MM | 167513 | 6 |
| 12 | BUSHING, TPR-LOCK, 1615 X 1 - 1/2 | 167705 | 1 |
| 13 | GUARD, ENGINE, LEFT, C44/48 | 168931 | 1 |
| 14 | GUARD, ENGINE, RIGHT, C44/48 | 168932v | 1 |
| 15 | BRACKET, TENSIONER, 4000 | 168207 | 1 |
| 16 | ASSY, TENSIONER, GBX | 169208 | 1 |
| 17 | SHAFT, PTO 4000KBG | 169956 | 1 |
| 18 | BUSHING, TPR-LOCK, 1615 X 1 - 7/16 | 170102 | 1 |
| 19 | PULLEY, 7/3VX/4.5 X 1615TB | 170322 | 1 |
| 20 | PULLEY, 7/3VX 4.5/1A4 X 1615TB | 170323 | 1 |
| 21 | KEY, 3/8 SQUARE X 2 - 3/8 | 170324 | 1 |

FIGURE 6 - PARTS LIST: ASSY, ENGINE, 44HP KBG, C44 P/N 167507-GBX

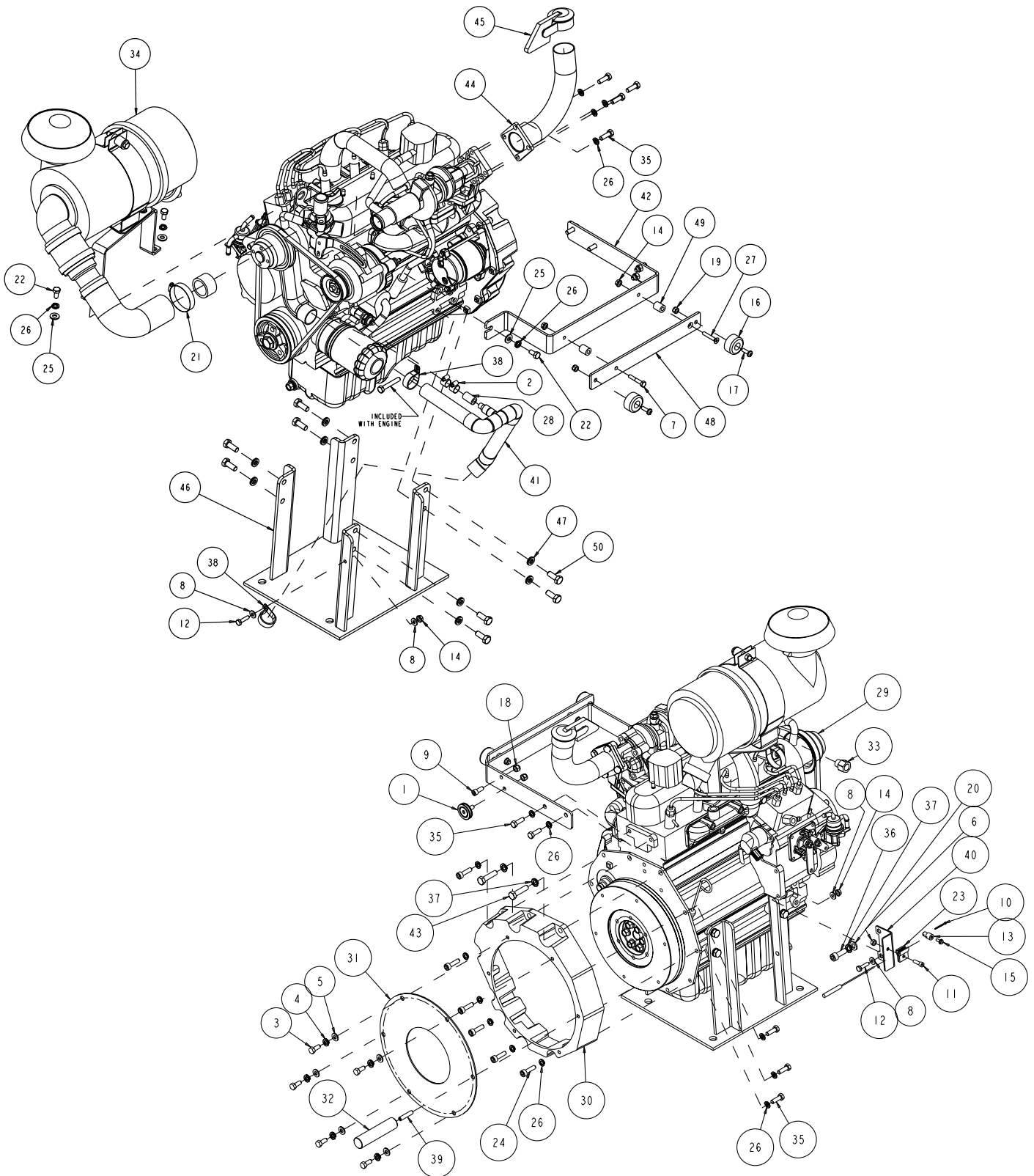
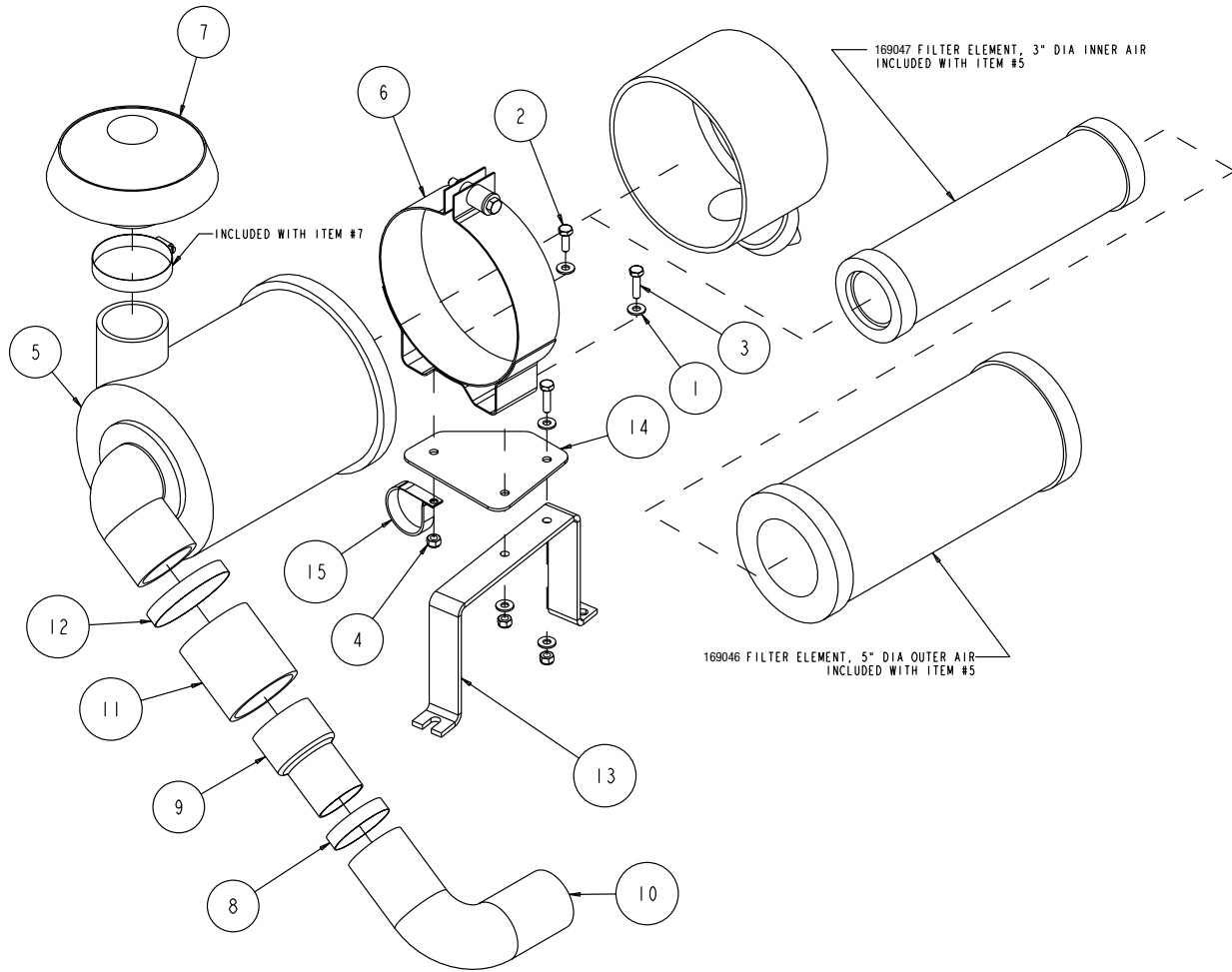


FIGURE 6 - PARTS LIST: ASSY, ENGINE, 44HP KBG, C44 P/N 167507-GBX

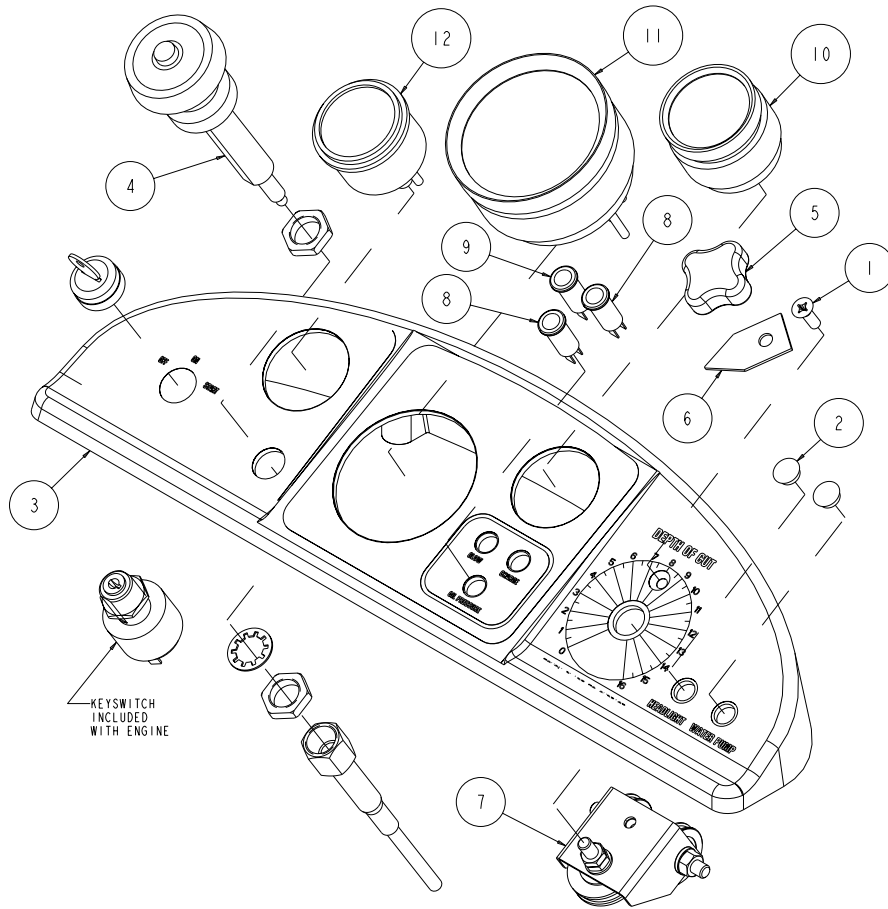
| ITEM NO. | DESCRIPTION | PART # | QTY. REQ. |
|----------|--|--------|-----------|
| 1 | WHEEL, CONVEYOR CART | 133090 | 1 |
| 2 | CLAMP, 5/8 HOSE | 151198 | 2 |
| 3 | SCREW, HEX HD, CAP, 5/16 - 18 X 3/4 | 151369 | 5 |
| 4 | WASHER, LOCK, SPLIT, 5/16 | 151747 | 5 |
| 5 | WASHER, FLAT, SAE, 5/16 | 151754 | 5 |
| 6 | NUT, HEX, 1/4 - 20 | 151893 | 1 |
| 7 | SCREW, HEX HEAD 1/4 - 20 X 1 - 1/2" | 151914 | 1 |
| 8 | WASHER, 1/4 SAE FLAT | 151915 | 4 |
| 9 | SCREW, SOC HD, 45/16 - 18 X 3/4 | 152444 | 1 |
| 10 | PIN, 1/6 X 3/4 COTTER | 152518 | 1 |
| 11 | SCREW, 1/4 - 20 X 3/4 SOCKET HEAD CAP | 152587 | 1 |
| 12 | SCREW, HEX HD, TAP, 1/4 - 20 X 1 | 152676 | 2 |
| 13 | PIN, WIRE STOP | 153842 | 1 |
| 14 | NUT, HEX, TW, 1/4 - 20 | 153941 | 4 |
| 15 | SCREW, HEX HD FL 10 - 24 X 5/16 | 154172 | 1 |
| 16 | BUMPER, 1/4 ID X 1 - 1/2OD X 3/4 | 154496 | 2 |
| 17 | SCREW, PAN HD, 1/4 - 20 X 3/4 | 157523 | 2 |
| 18 | NUT, HEX, NYLK, 5/16 - 18 | 158289 | 2 |
| 19 | NUT, HEX, NYLK, 1/4 - 20 | 159857 | 2 |
| 20 | WASHER, FLAT, M10 | 160203 | 1 |
| 21 | CLAMP, HOSE, 1 - 15/16 TO 2 - 1/4 | 162816 | 1 |
| 22 | SCREW, HEX HD, M8 - 1.25 X 16MM | 164223 | 3 |
| 23 | CLAMP, 30 SERIES CLAMSHHELL CONDUIT | 164600 | 1 |
| 24 | SCREW, SOC HD, M - 1.25 X 30MM | 164721 | 6 |
| 25 | WASHER, FLAT, M8 | 164855 | 3 |
| 26 | WASHER, LOCK, SPLIT, M8 | 164860 | 18 |
| 27 | SCREW, 1/4 - 20 X 3/4 FLAT HEAD PHILLIPS MACHINE | 165120 | 1 |
| 28 | HOSE, 3/8 FUEL, 1" LONG | 166472 | 1 |
| 29 | ENGINE, KUBOTA, 44HP, DIESEL | 167291 | 1 |
| 30 | CASTING, FLYWHL GRD, KB, COMP | 167498 | 1 |
| 31 | PLATE, FLYWHEEL GRD, KB | 167499 | 1 |
| 32 | STAND OFF, FLYWHEEL GRD, KB | 167500 | 1 |
| 33 | ADAPTER, 3/8 MNPT X A-BULB TEMP | 167503 | 1 |
| 34 | ASSY, 7" AIR CLEANER, KB | 167509 | 1 |
| 35 | SCREW, HEX, M8 - 1.25 X 25MM | 167512 | 9 |
| 36 | SCREW, SOC HD, M10 - 1.25 X 30MM | 167513 | 1 |
| 37 | WASHER, LOCK, SPLIT, M10 | 167515 | 3 |
| 38 | CLAMP, 1 - 1/4 CUSHION LOOP | 167523 | 2 |
| 39 | SCREW, SOC SET, CPT, 5/16 - 18 X 1 - 1/2 | 167525 | 1 |
| 40 | BRACKET, THROTTLE CABLE, KB | 167526 | 1 |
| 41 | PIPE, RADIATOR OUTLET, KB | 167529 | 1 |
| 42 | BRACKET, POINTER STOP, KB | 167557 | 1 |
| 43 | SCREW, HEX, M10 - 1.25 X 40MM | 167613 | 2 |
| 44 | PIPE, 1 3/4 EXHAUST, KB | 168883 | 1 |
| 45 | CAP, WEATHER, 1 - 3/4 EXHAUST | 168884 | 1 |
| 46 | MOUNT, ENGINE, 4000KB GBX | 169655 | 1 |
| 47 | WASHER, CHROMATE, 3.8, PAIR | 169692 | 8 |
| 48 | PLATE, POINTER STOP, KBG | 169970 | 1 |
| 49 | SPACER, POINTER STOP, KBG | 169971 | 2 |
| 50 | SCREW, HEX, M10 - 1.25 X25MM | 170112 | 8 |

FIGURE 7 - PARTS LIST: ASSY, 7" AIR CLEANER P/N 167509



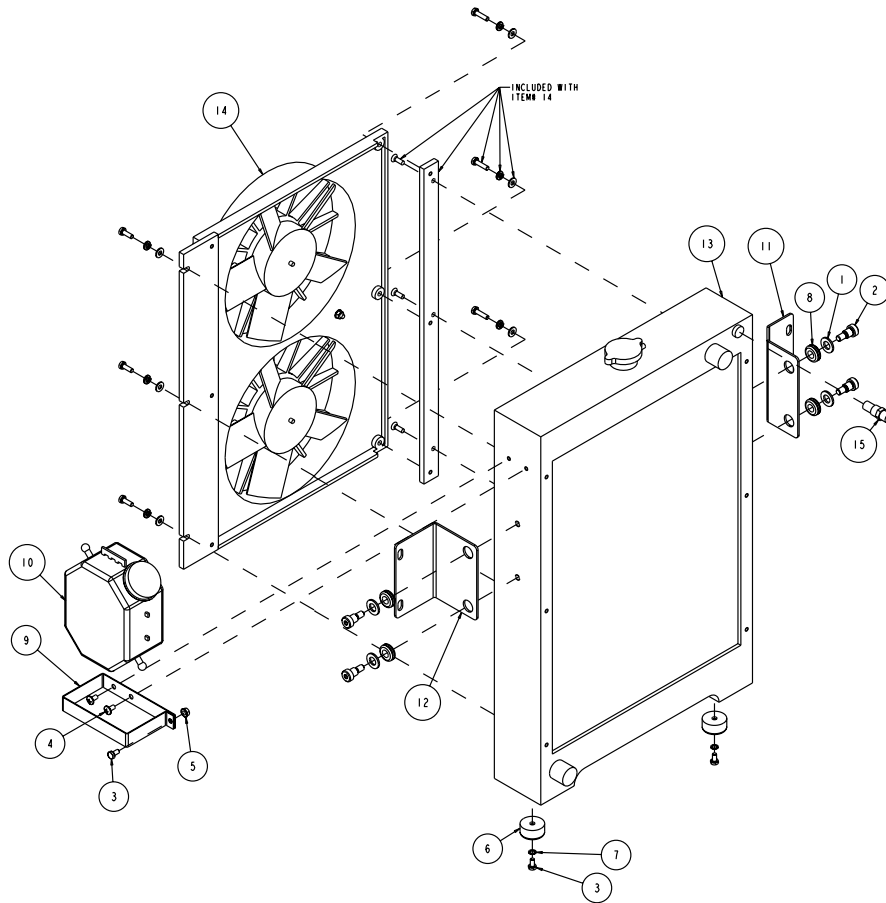
| ITEM NO. | DESCRIPTION | PART # | QTY. REQ. |
|----------|--------------------------------------|--------|-----------|
| 1 | WASHER, 1/4 SAE FLAT | 151915 | 5 |
| 2 | SCREW, 1/4-20 X 3/4 HEX HEAD MACHINE | 152370 | 1 |
| 3 | SCREW, HEX HD CAP, 1/4-20 X 1 | 152676 | 2 |
| 4 | NUT, 1/4-20 NYLOK | 159857 | 3 |
| 5 | AIR CLEANER, 7" | 162607 | 1 |
| 6 | BRACKET, 7" AIR CLEANER | 162608 | 1 |
| 7 | HOOD, 2.5" INLET | 162609 | 1 |
| 8 | CLAMP, 1-5/16 TO 2-1/4 HOSE | 162816 | 1 |
| 9 | ADAPTER, 1-7/800 X 2-1/4 ID TUBE | 162857 | 1 |
| 10 | HOSE, Ø1-3/4 X 90 INTAKE (COMP) | 163985 | 1 |
| 11 | HOSE, 2-1/2 ID INTAKE (COMP) | 163986 | 1 |
| 12 | CLAMP, 2-5/16 TO 3-1/4 HOSE | 164242 | 2 |
| 13 | BRACKET, AIR CLEANER, KB | 167510 | 1 |
| 14 | PLATE, AIR CLEANER, KB | 167511 | 1 |
| 15 | CLAMP, 1-3/4 CUSHION LOOP | 167522 | 1 |

FIGURE 8 - PARTS LIST: ASSY, INSTRUMENT PANEL P/N 167222



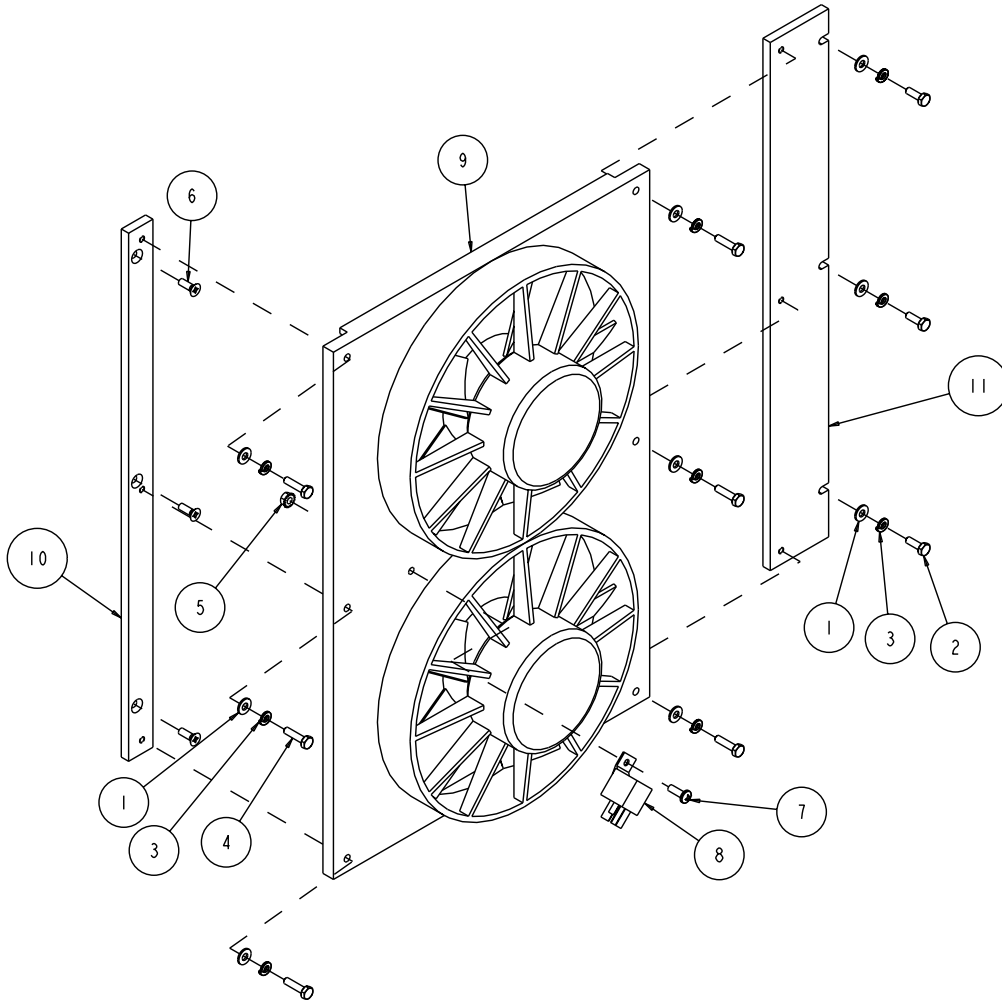
| ITEM NO. | DESCRIPTION | PART # | QTY. REQ. |
|----------|--|-----------|-----------|
| 1 | SCREW, 1/4-20 X 3/4 FLAT HEAD PHILLIPS MACHINE | 154657 | 1 |
| 2 | PLUG, 1/2 FLUSH HEAD BUTTON | 156779 | 2 |
| 3 | PANEL, INSTRUMENT (COMP) | 160909-KB | 1 |
| 4 | CONTROL, THROTTLE-COMP | 162616-KB | 1 |
| 5 | KNOB, DEPTH INDICATOR (COMP) | 162629 | 1 |
| 6 | POINTER, DEPTH INDICATOR | 162630 | 1 |
| 7 | ASSY, DEPTH INDICATOR | 162881 | 1 |
| 8 | LIGHT, 1/2" DIA, PANEL, RED | 163938 | 2 |
| 9 | LIGHT, 1/2" DIA, PANEL, GREEN | 163939 | 1 |
| 10 | GAUGE, FUEL, ANALOG | 164151 | 1 |
| 11 | GAUGE, TACH, DIESEL | 164152-D | 1 |
| 12 | GAUGE, TEMP, 2" | 167501 | 1 |

FIGURE 9 - PARTS LIST: ASSY, RADIATOR P/N 169946-KB



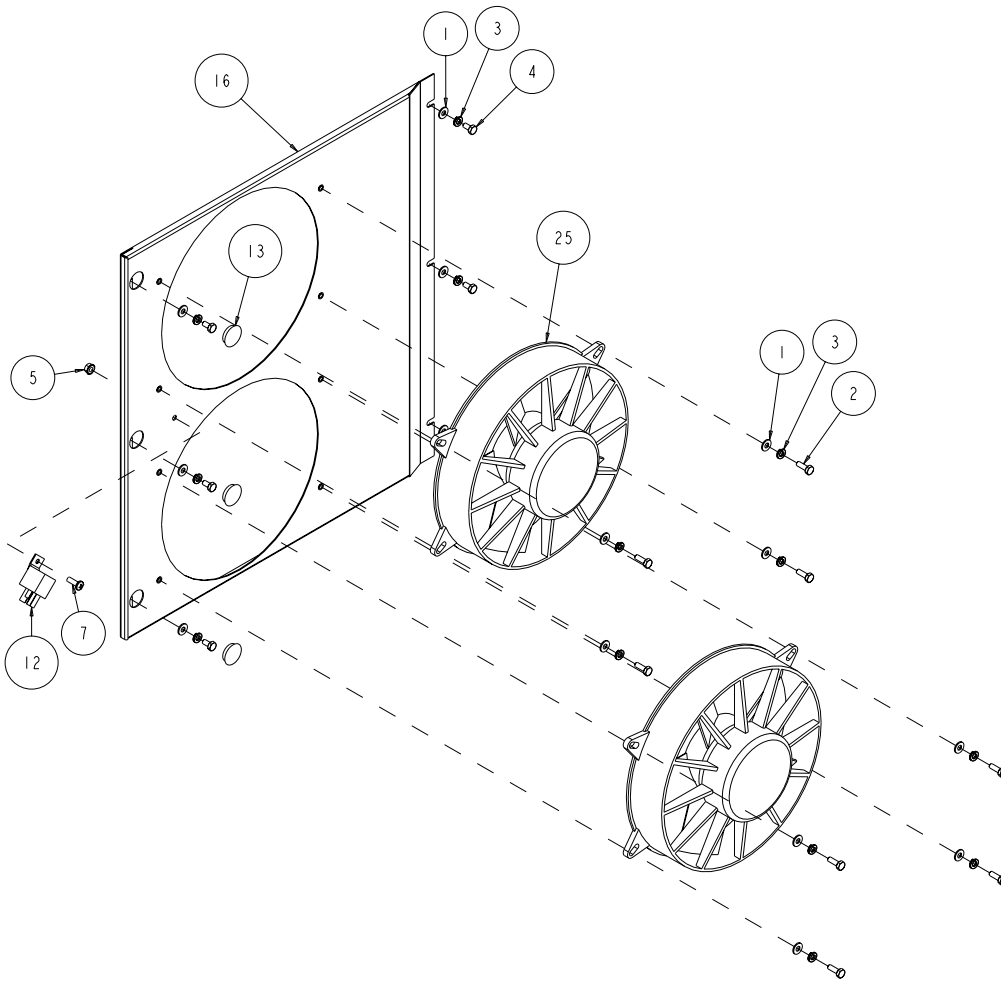
| ITEM NO. | DESCRIPTION | PART # | QTY. REQ. |
|----------|----------------------------------|-----------|-----------|
| 1 | WASHER, 1/2 SAE FLAT | 150924 | 4 |
| 2 | SCREW, SHOULDER, 1/2 X 1/2 | 151753 | 4 |
| 3 | SCREW, 1/4 - 20 X 1/2 HEX HEAD | 152608 | 3 |
| 4 | SCREW, 1/4 - 20 X 1/2 TRUSS HEAD | 153880 | 2 |
| 5 | NUT, HEX, TW, 1/4 - 20 | 153941 | 1 |
| 6 | BUMPER, 1/4 ID X 1 - 1/200 X 3/4 | 154496 | 2 |
| 7 | WASHER, LOCK, 1/4 INT TOOTH | 162490 | 2 |
| 8 | GROMMET 1/2 X 1.0 | 164207 | 4 |
| 9 | BRACKET, RADIATOR BOTTLE | 167208 | 1 |
| 10 | RESERVOIR, COOLANT | 167209 | 1 |
| 11 | BRACKET, RADIATOR, LEFT, KB | 167942-KB | 1 |
| 12 | BRACKET, RADIATOR, RIGHT, KB | 167943-KB | 1 |
| 13 | RADIATOR, 18.25 X 27.5 | 167945 | 1 |
| 14 | FAN, DUAL, 12VDC, COMP | 169287 | 1 |
| 15 | SWITCH, TEMP, 185 DEG, 3/8PT | 169295 | 1 |

FIGURE 10 - PARTS LIST: ASSY, RADIATOR FAN P/N 169287



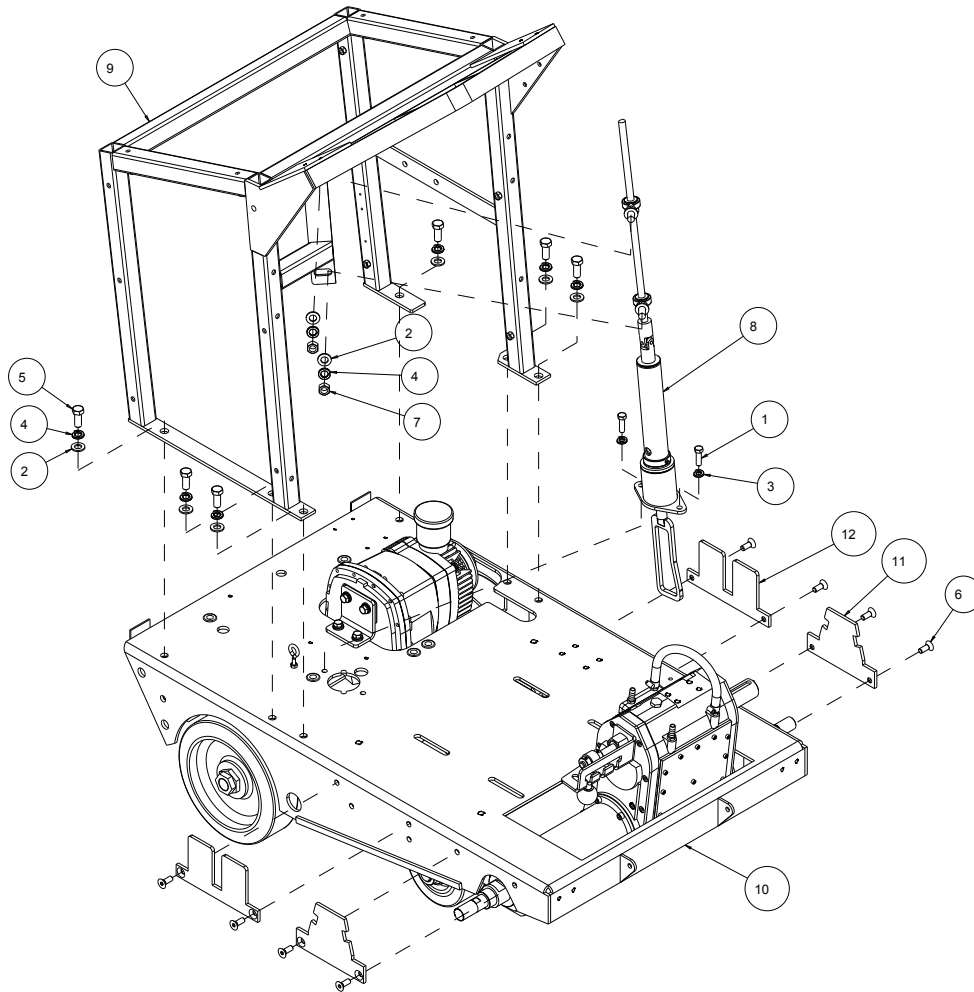
| ITEM NO. | DESCRIPTION | PART # | QTY. REQ. |
|----------|---|--------|-----------|
| 1 | WASHER, 1/4 SAE FLAT | 151915 | 9 |
| 2 | SCREW, HEX HD, 1/4 - 20 X 3/4 | 152370 | 3 |
| 3 | WASHER, 1/4 SPLIT LOCK | 152591 | 9 |
| 4 | SCREW, HEX HD CAP, 1/4 - 20 X 1 | 152676 | 6 |
| 5 | NUT, HEX, TW, 1/4 - 20 | 153941 | 1 |
| 6 | SCREW, 1/4 -20 X 3/4 FLAT HEAD PHILLIPS MACHINE | 154657 | 3 |
| 7 | SCREW, PAN HD, 1/4 - 20 X 3/4 | 157523 | 1 |
| 8 | RELAY, 12V, 70A | 164969 | 1 |
| 9 | FAN, DUAL, 12VDC | 169104 | 1 |
| 10 | BAR, FAN MOUNT, LEFT | 169108 | 1 |
| 11 | BAR, FAN MOUNT, RIGHT | 169296 | 1 |
| 12 | WIRE HARNESS, DUAL FAN | 169728 | 1 |

FIGURE 10 - PARTS LIST: ASSY, RADIATOR FAN P/N 169287-1



| ITEM NO. | DESCRIPTION | PART # | QTY. REQ. |
|----------|--------------------------------|--------|-----------|
| 1 | WASHER, 1/4 SAE FLAT | 151915 | 14 |
| 2 | SCREW, HEX HD, 1/4 - 20 X 3/4 | 152370 | 8 |
| 3 | WASHER, 1/4 SPLIT LOCK | 152591 | 14 |
| 4 | SCREW, 1/4 - 20 X 1/2 HEX HEAD | 152608 | 6 |
| 5 | NUT, HEX, TW, 1/4 - 20 | 153941 | 1 |
| 7 | SCREW, PAN HD, 1/4 - 20 X 3/4 | 157523 | 1 |
| 8 | PLUG, HOLE PLASTIC 1.0" | 167941 | 3 |
| 9 | FAN, RADIATOR, 11" DIA, 12VDC | 169387 | 2 |
| 10 | SHROUD, RADIATOR, DUAL 11" FAN | 169388 | 1 |
| 11 | WIRE HARNESS, DUAL FAN | 169728 | 1 |

FIGURE 11 - PARTS LIST: ASSY, C4400HY/KB SUB A P/N 168905



| ITEM NO. | DESCRIPTION | PART# | QTY. REQ. |
|----------|--|--------|-----------|
| 1 | SCREW, 3/8-16 X 1-1/4 HEX HEAD CAP | 150774 | 2 |
| 2 | WASHER, 1/2 SAE FLAT | 150924 | 8 |
| 3 | WASHER, 3/8 SPLIT LOCK | 150925 | 2 |
| 4 | WASHER, 1/2 SPLIT LOCK | 153524 | 8 |
| 5 | SCREW, 1/2 - 13 X 1 - 1/4 HEX HEAD CAP | 153532 | 6 |
| 6 | SCREW, FLAT HD, ALN, 3/8 - 16 X 1 | 154019 | 8 |
| 7 | NUT, 1/2 - 20 HEX | 162586 | 2 |
| 8 | ASSY, DEPTH STOP | 165710 | 1 |
| 9 | TOWER, WELDMENT, RADIATOR | 167199 | 1 |
| 10 | ASSY, FAME SUB, GBX | 168904 | 1 |
| 11 | SPADE, FRONT, BOLTED | 169458 | 2 |
| 12 | SPADE, BACK, BOLTED | 170292 | 2 |

FIGURE 12 - PARTS LIST: ASSY, MK-4400HY/KB SUB B P/N 168905

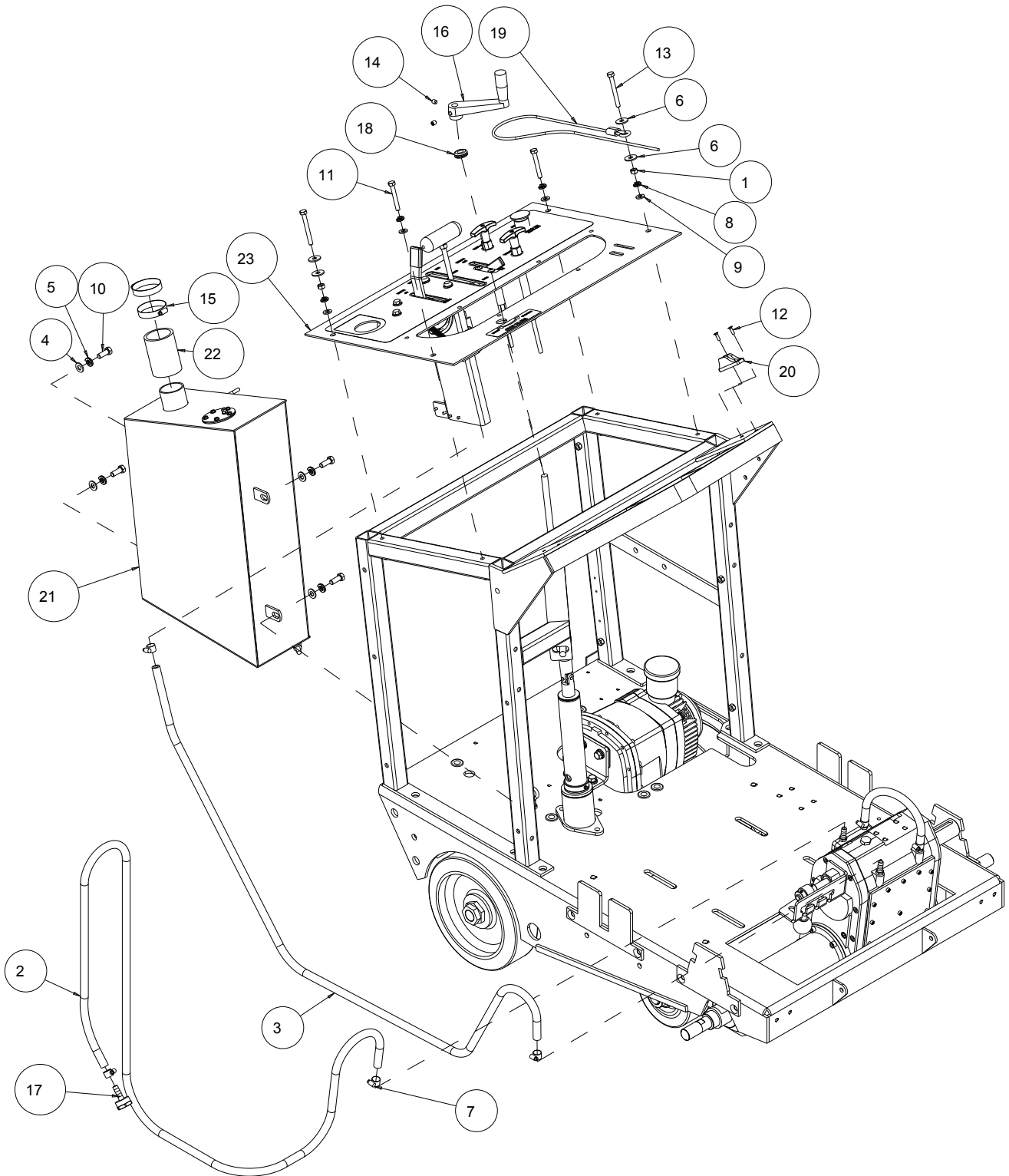


FIGURE 12 - PARTS LIST: ASSY, 59G SUB B P/N 168905

| ITEM NO. | DESCRIPTION | PART # | QTY. REQ. |
|----------|---|--------|-----------|
| 1 | NUT, HEX, 5/16 - 18 | 101196 | 2 |
| 2 | HOSE, 3/8 X 5/8 VINYL, 72" | 150845 | 1 |
| 3 | HOSE, 3/8 X 5/8 VINYL, 66" | 150845 | 1 |
| 4 | WASHER, 3/8 SAE FLAT | 150923 | 4 |
| 5 | WASHER, 3/8 SPLIT LOCK | 150925 | 4 |
| 6 | WASHER, FENDER, 5/16 X 1.0 | 151053 | 4 |
| 7 | CLAMP, HOSE, 5/8 | 151198 | 4 |
| 8 | WASHER, LOCK, SPLIT, 5/16 | 151747 | 4 |
| 9 | WASHER, FLAT, SAE, 5/16 | 151754 | 4 |
| 10 | SCREW, HEX HD CAP, 3/8 - 16 X 1 | 152507 | 4 |
| 11 | SCREW, HEX, 5/16 - 18 X 2 - 1/4 | 153951 | 2 |
| 12 | SCREW, FLAT HD 12 - 24 X 5/8 | 154295 | 2 |
| 13 | BOLT, 5/16/ - 18 X 2 - 3/4 HEX HEAD TAP | 156974 | 2 |
| 14 | SCREW, 5/16 - 18 X 3/8 SOCKET HEAD SET | 157083 | 2 |
| 15 | CLAMP, HOSE, 1 - 15/16 TO 2 - 1/4 | 162816 | 2 |
| 16 | HANDLE, DEPTH STOP (COMP) | 163987 | 1 |
| 17 | FITTING, 3/4 X 11.5 FNH X 3/8 BARB | 163991 | 1 |
| 18 | GROMMET 1/2 X 1.0 | 164207 | 1 |
| 19 | ASSY, CABLE, POINTER | 165739 | 1 |
| 20 | CLEAT, 1/8" CABLE | 165740 | 1 |
| 21 | ASSY, FUEL TANK | 167210 | 1 |
| 22 | HOSE, 2.0 ID FUEL FILL (COMP) | 167213 | 1 |
| 23 | ASSY, CONTROL PANEL, LESS INST | 167215 | 1 |

FIGURE 12 - PARTS LIST: ASSY, MK-4400HYKBG SUB C P/N 168905

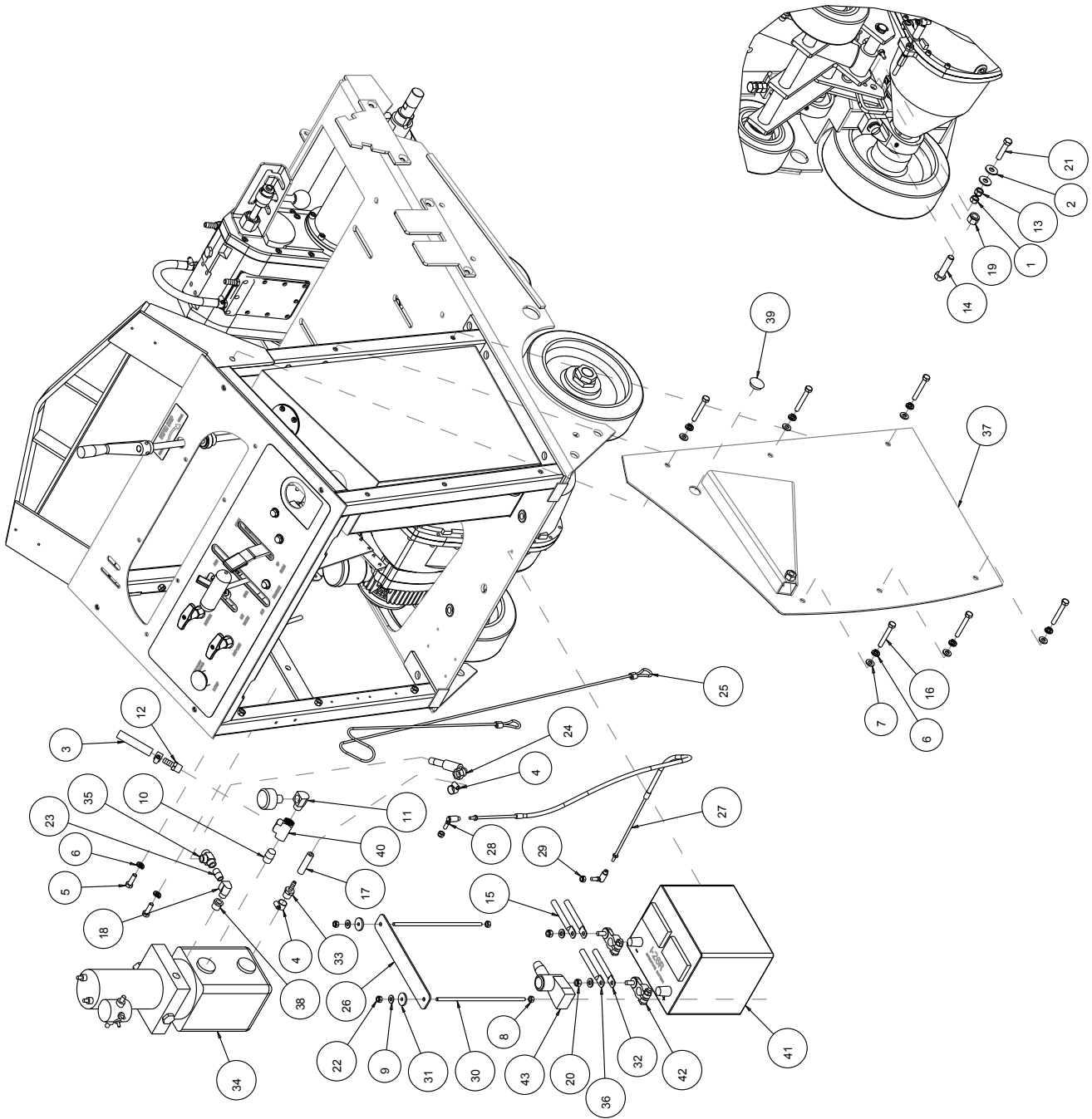
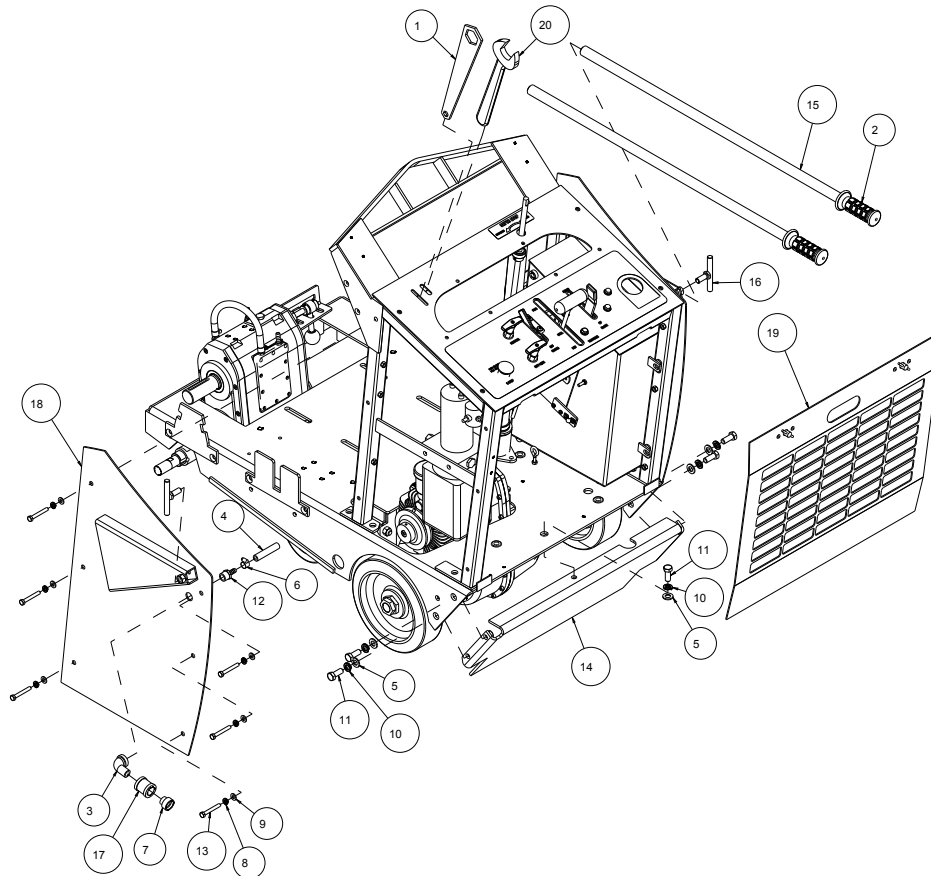


FIGURE 12 - PARTS LIST: ASSY, 4000HYKBG SUB C P/N 168905

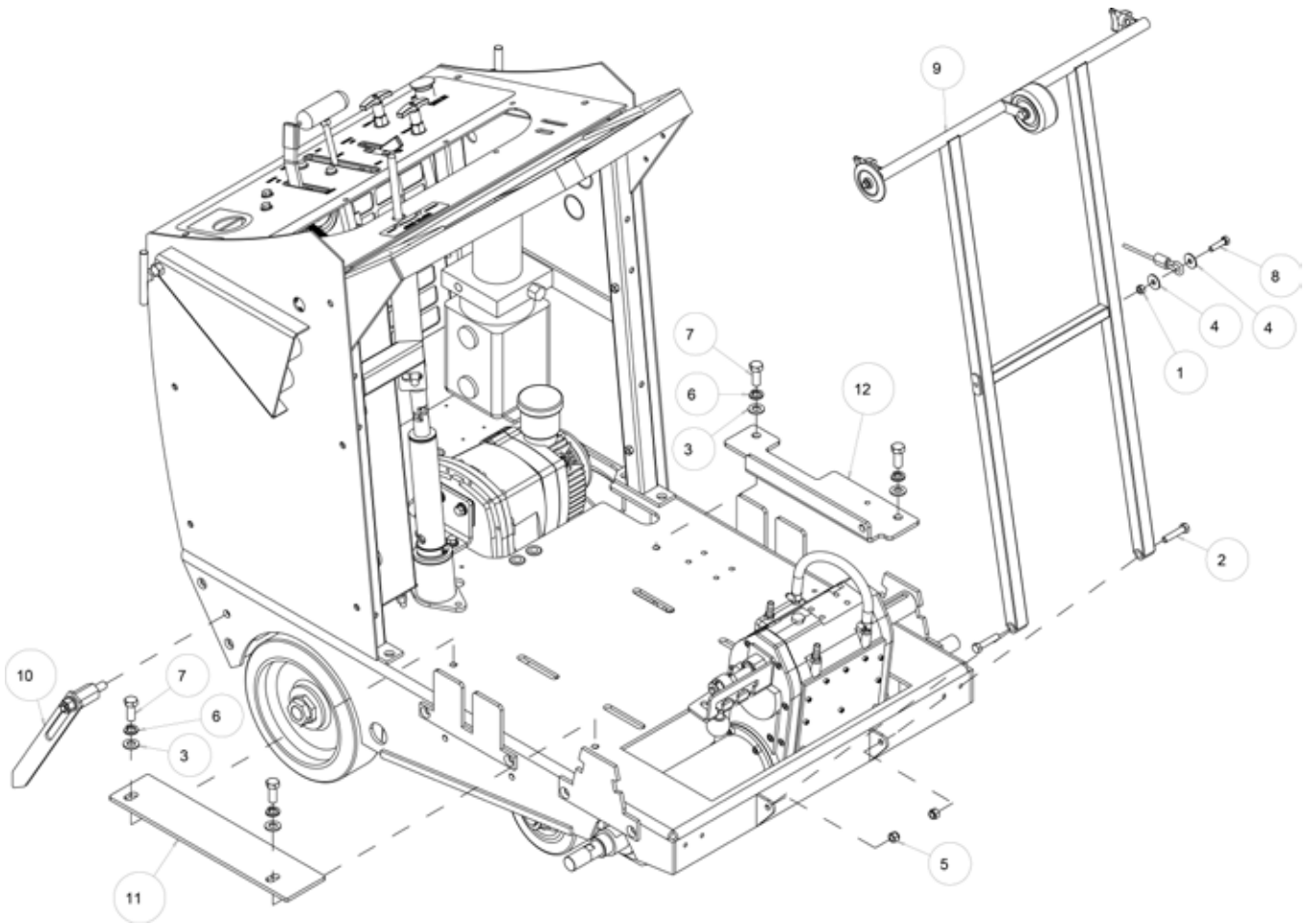
| ITEM NO. | DESCRIPTION | PART # | QTY. REQ. |
|----------|-------------------------------------|--------|-----------|
| 1 | NUT, HEX, 5/16 - 18 | 101188 | 1 |
| 2 | WASHER, FLAT, USS, 3/8 | 101360 | 2 |
| 3 | HOSE, 3/8 X 5/8 VINYL, 60" | 150845 | 1 |
| 4 | CLAMP, HOSE, 5.8 | 151198 | 2 |
| 5 | SCREW, HEX HD, 5/16 - 18 X 1 | 151743 | 2 |
| 6 | WASHER, LOCK, SPLIT, 5/16 | 151747 | 8 |
| 7 | WASHER, FLAT, SAE, 5/16 | 151754 | 6 |
| 8 | NUT, HEX, 1/4 - 20 | 151893 | 2 |
| 9 | WASHER, FLAT, SAE, 1/4 | 151915 | 2 |
| 10 | NIPPLE, 3/8" MNPT CLOSE | 152073 | 1 |
| 11 | ELBOW, STREET, 3/8 NPT X 90, BRASS | 152074 | 1 |
| 12 | FITTING, 3/8 MNPT X 3/8 BARB | 152076 | 1 |
| 13 | NUT, HEX, NYLK, 3.8 -16 | 152505 | 1 |
| 14 | SCREW, HEX, 1/2 - 13 X 2 | 153533 | 1 |
| 15 | CABLE, 4GA X 24 BLACK BATTERY | 153849 | 2 |
| 16 | SCREW, HEX, 5/16 - 18 X 2 /14 | 153951 | 6 |
| 17 | HOSE, 1/4 FUEL, 36" LONG | 154163 | 1 |
| 18 | ELBOW, 1/4MNPT STREET | 154615 | 1 |
| 19 | NUT, 1/2 - 13 NYLOK HEX | 155162 | 1 |
| 20 | NUT, HEX, NYLK, 1/4 - 20 | 159857 | 2 |
| 21 | SCREW, 3/8 - 18 X 1-3/4 HEX HD | 158398 | 1 |
| 22 | NUT, HEX, NYLK, 1/4 - 20 | 159857 | 2 |
| 23 | NIPPLE, 1/4 NPT X CLOSE, BRASS | 159905 | 1 |
| 24 | HOSE, 1/4 NPT X 9/16JIC90 HYD | 162600 | 1 |
| 25 | CABLE, TRANS CONTROL | 162628 | 1 |
| 26 | BRACKET, BATTERY HOLDDOWN | 162647 | 1 |
| 27 | CABLE, TRANS CONTROL | 162858 | 1 |
| 28 | BALL JOINT, 30 SERIES | 162859 | 2 |
| 29 | NUT, HEX, NYLK, 1/4 - 28 | 163936 | 2 |
| 30 | STUD, 1/4 - 20 X 8 | 164212 | 2 |
| 31 | WASHER, 1/4 RUBBER FENDER | 164593 | 2 |
| 32 | CABLE, 4GA X 52 RED BATTERY | 166050 | 1 |
| 33 | FITTING, 3/8 MNPT X 1/4 BARB, BRASS | 167239 | 1 |
| 34 | PUMP, HYDRAULIC | 167271 | 1 |
| 35 | FITTING, TEE, 1/4 FNPT, BRASS | 167272 | 1 |
| 36 | CABLE, 4GA X 20 RED BATTERY | 167273 | 1 |
| 37 | PANEL, TOWER R/H | 167284 | 1 |
| 38 | FITTING, 3/8 MNPT X 1/4 FNPT | 167506 | 1 |
| 39 | PLUG, HOLE PLASTIC 1.0" | 167941 | 1 |
| 40 | TEE, 3/8 NPT, BRASS | 170387 | 1 |
| 41 | BATTERY, 12 VOLT 90 AMP-HOUR | 170458 | 1 |
| 42 | TERMINAL, BATTERY, MARINE POST | 170459 | 2 |
| 43 | INSULATOR, BATTERY TERM , MARINE | 170460 | 1 |

FIGURE 13 - PARTS LIST: ASSY, MK-4400HY/KB SUB D P/N 168905



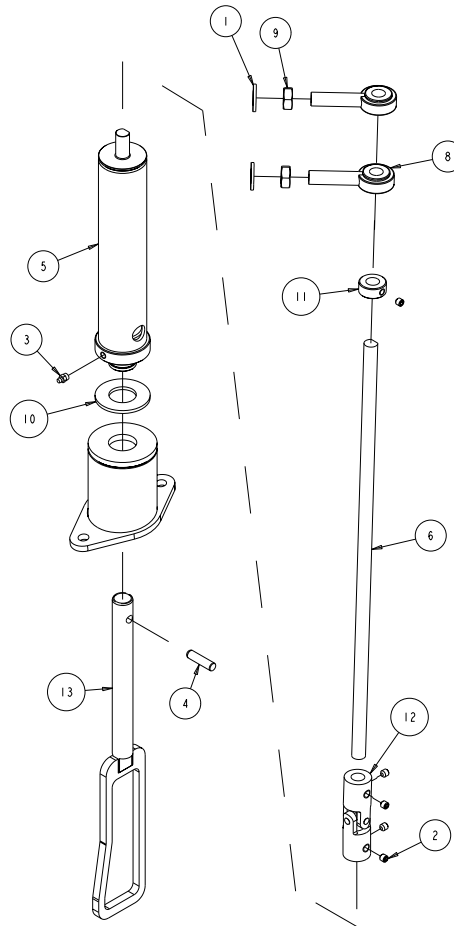
| ITEM NO. | DESCRIPTION | PART # | QTY. REQ. |
|----------|--------------------------------------|--------|-----------|
| 1 | WRENCH, BOX END, 1 - 1/2 X 9/16 | 137976 | 1 |
| 2 | GRIP, HANDLE, 1.0 ID | 150842 | 2 |
| 3 | ELBOW, 1/2 MNPT 90 STREET, GALV | 150844 | 1 |
| 4 | HOSE, 3/8 X 5/8 VINYL, 18" | 150845 | 1 |
| 5 | WASHER, 1/2 SAE FLAT | 150924 | 5 |
| 6 | CLAMP, HOSE, 5.8 | 151198 | 2 |
| 7 | FITTING, 1/2 MNPT X 3/4 FNR | 151322 | 1 |
| 8 | WASHER, LOCK, SPLIT, 5/16 | 151747 | 6 |
| 9 | WASHER, FLAT, SAE, 5/16 | 151754 | 6 |
| 10 | WASHER, 1/2 SPLIT LOCK | 153524 | 5 |
| 11 | SCREW 1.2 - 13 X 1 -1/4 HEX HEAD CAP | 153532 | 5 |
| 12 | FITTING, 1/2 MNPT X 3.8 BARB | 153653 | 1 |
| 13 | SCREW, HEX, 5/16 - 18 C 2 -1/4 | 153951 | 6 |
| 14 | PLATE, REAR FRAME | 161106 | 1 |
| 15 | HANDELBAR | 161158 | 2 |
| 16 | KNOB, 1/2 - 13 T-HANDLE | 162635 | 2 |
| 17 | FITTING, 1/2 NPT COUPLER | 164208 | 1 |
| 18 | PANEL, TOWER L/G | 167285 | 1 |
| 19 | ASSY, BACK PANEL, LATCHING | 167505 | 1 |
| 20 | WRENCH, 1 - 3/8 OPEN END | 168750 | 1 |

FIGURE 14 - PARTS LIST: ASSY, MK-4400HY/KB SUB E P/N 168905



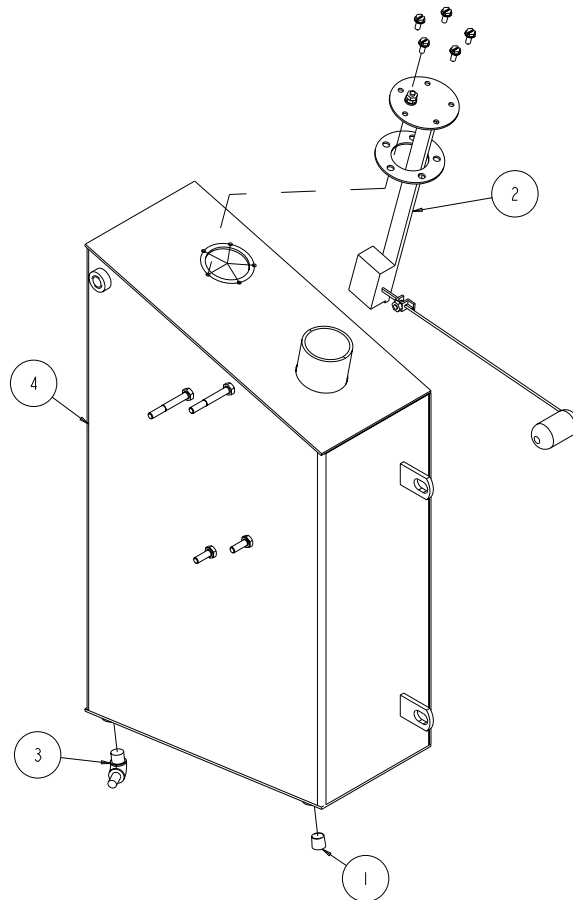
| ITEM NO. | DESCRIPTION | PART # | QTY. REQ. |
|----------|--|--------|-----------|
| 1 | NUT, HEX, 5/16 - 18 | 101196 | 1 |
| 2 | SCREW, HEX HD, 3/8 - 16 X 1 - 3/4 | 150920 | 2 |
| 3 | WASHER, 1/2 SAE FLAT | 150924 | 4 |
| 4 | WASHER, FENDER, 5/16 X 1.0 | 151053 | 2 |
| 5 | NUT, HEX, NYLK, 3/8 - 16 | 152505 | 2 |
| 6 | WASHER, 1/2 SPLIT LOCK | 153524 | 4 |
| 7 | SCREW, 1/2 - 13 X 1 -1/4 HEX HEAD MACHINE | 153532 | 4 |
| 8 | SCREW, 5/16 - 18 X 1 -1/4 HEX HEAD MACHINE | 153950 | 1 |
| 9 | ASSY, POINTER, FRONT | 160931 | 1 |
| 10 | ASSY, REAR POINTER | 163824 | 1 |
| 11 | BRACKET, ENGINE GUIDE, RIGHT | 167242 | 1 |
| 12 | BRACKET, ENGINE GUIDE, LEFT | 167243 | 1 |

FIGURE 15 - PARTS LIST: ASSY, DEPTH STOP P/N 165710



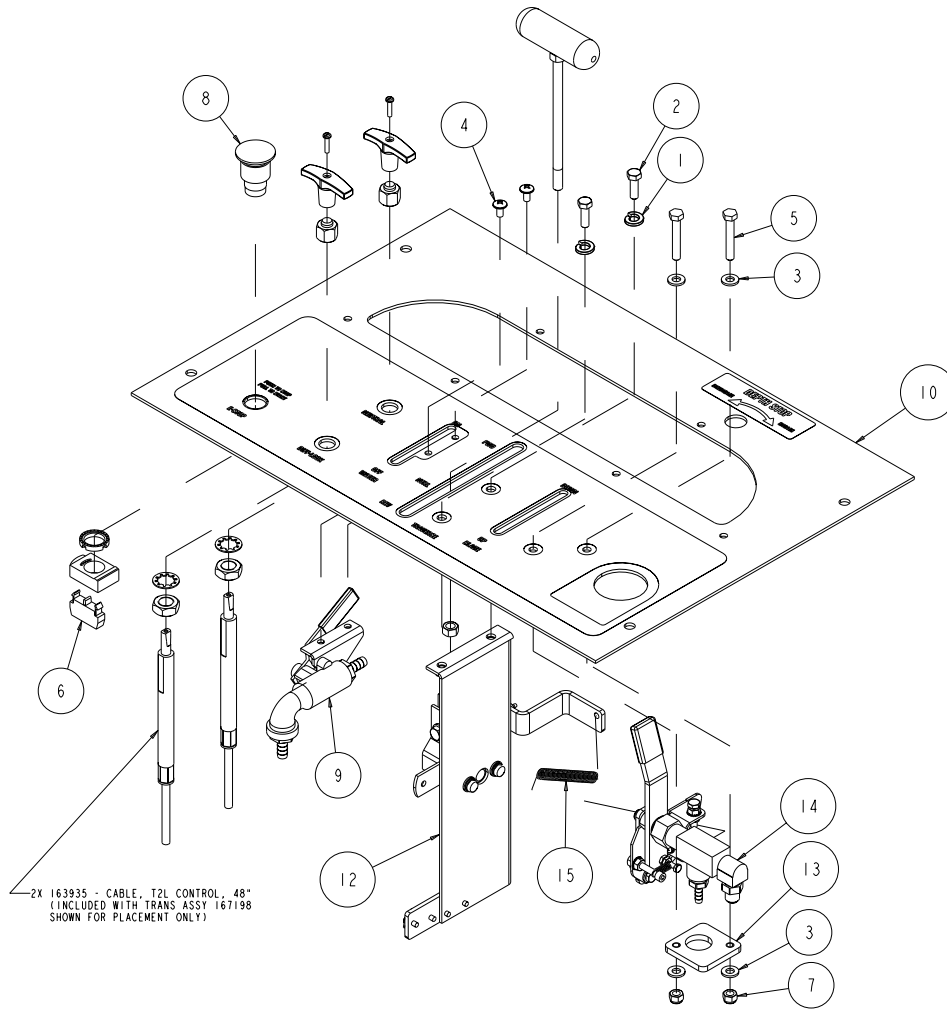
| ITEM NO. | DESCRIPTION | PART OR IDENTIFYING NO. | QTY. REQ. |
|----------|--|-------------------------|-----------|
| 1 | WASHER, 1/2 SAE FLAT | 150924 | 2 |
| 2 | SCREW, 5/16 - 18 X 1/2 SOCKET HEAD SET | 152607 | 4 |
| 3 | FITTING, 1/4 - 28 GREASE | 153852 | 1 |
| 4 | PIN, 5/16 X 1-1/4 GROOVE | 160458 | 1 |
| 5 | TUBE, DEPTH STOP | 161138 | 1 |
| 6 | ARM, DEPTH STOP LINKAGE | 161156 | 1 |
| 7 | CUP, DEPTH STOP | 162582 | 1 |
| 8 | ROD END, 1/2" BALL JOINT | 162583 | 2 |
| 9 | NUT, 1/2 - 20 HEX | 162586 | 2 |
| 10 | BEARING, 1 X 2 X 1/8 BRONZE THRUST | 162623 | 1 |
| 11 | COLLAR, SHAFT, 1/2 | 162633 | 1 |
| 12 | U-JOINT, 1.0 OD X 0.5 ID (COMP) | 163988 | 1 |
| 13 | SCREW, DEPTH STOP | 165708 | 1 |

FIGURE 16 - PARTS LIST: ASSY, FUEL TANK P/N 167210



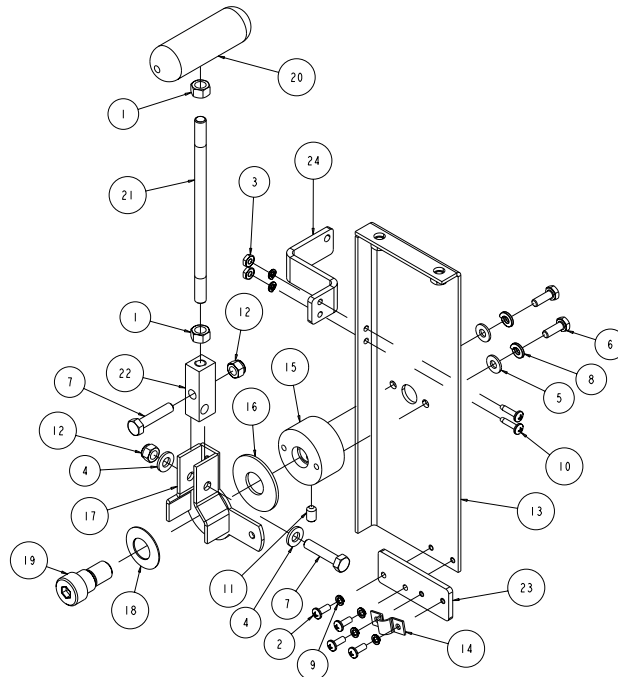
| ITEM NO. | DESCRIPTION | PART OR IDENTIFYING NO. | QTY. REQ. |
|----------|----------------------------------|-------------------------|-----------|
| 1 | PLUG, 1/4NPT HEX SOCKET | 154679 | 1 |
| 2 | SENDER, FUEL | 162636 | 1 |
| 3 | ELBOW, 1/4MNPT X 5/16BARB, BRASS | 164278 | 1 |
| 4 | TANK, FUEL | 167211 | 1 |

FIGURE 17 - PARTS LIST: ASSY, CONTROL PANEL, P/N 167215



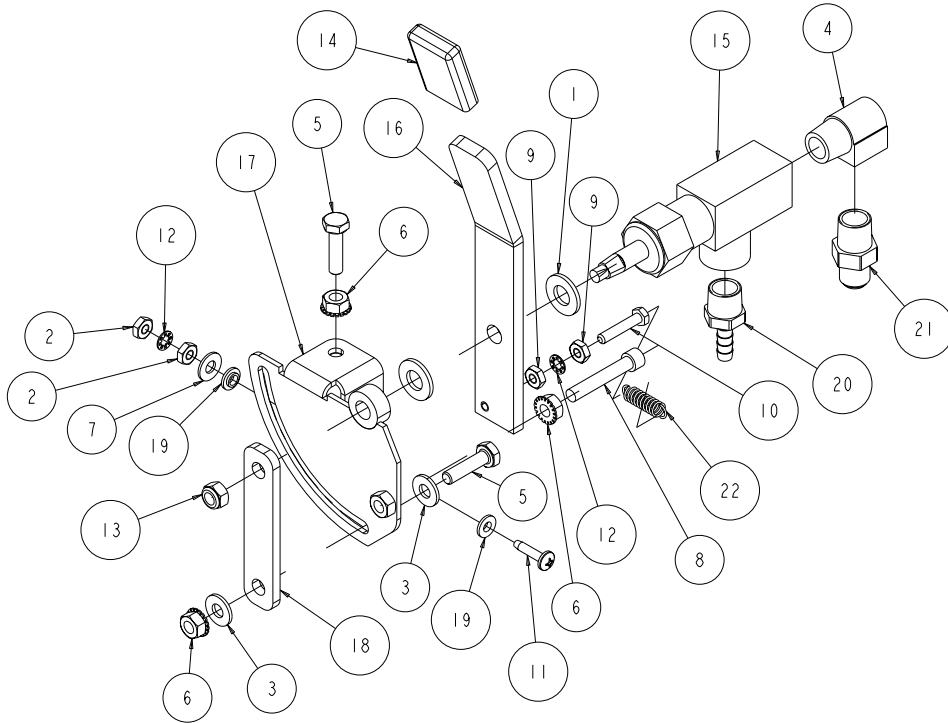
| ITEM NO. | DESCRIPTION | PART OR IDENTIFYING NO. | QTY. REQ. |
|----------|-------------------------------------|-------------------------|-----------|
| 1 | WASHER, 3/8 SPLIT LOCK | 2 | 150925 |
| 2 | SCREW, 5/16-18 X 1 HEX HEAD MACHINE | 2 | 151743 |
| 3 | WASHER, 5/16 SAE FLAT | 4 | 151744 |
| 4 | SCREW, 1/4-20 X 1/2 TRUSS HEAD | 2 | 153880 |
| 5 | SCREW, 5/16-18 X 2 HEX HEAD | 2 | 155494 |
| 6 | CONTACTS, NC | 1 | 156204 |
| 7 | NUT, 5/16-18 NYLOK HEX | 2 | 158289 |
| 8 | ASSY, SWITCH BUTTON, GAS | 1 | 162080 |
| 9 | ASSY, WATER VALVE | 1 | 164161 |
| 10 | PANEL, CONTROL | 1 | 167217 |
| 11 | LABEL, SET, CONTROL PANEL | 1 | 167218 |
| 12 | ASSY, CONTROLHEAD, FNR | 1 | 167226 |
| 13 | PLATE, UP/DOWN CONTROL MOUNT | 1 | 167232 |
| 14 | ASSY, UP/DOWN CONTROL | 1 | 167233 |
| 15 | SPRING, EXT, 7/160D X .048WD X 3.0L | 1 | 167270 |

FIGURE 18 - PARTS LIST: ASSY, CONTROLHEAD, FNT SUB P/N 167226



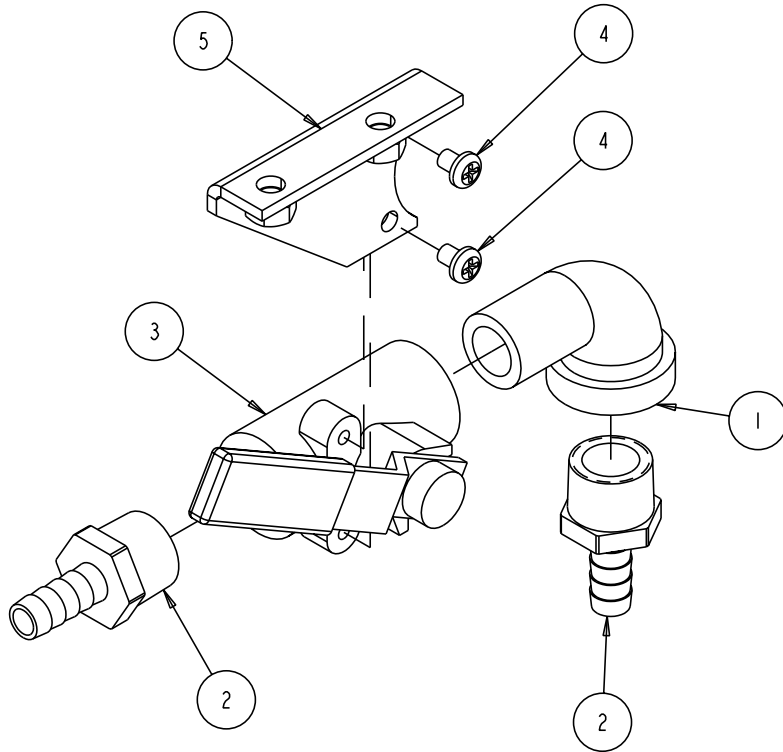
| ITEM NO. | DESCRIPTION | PART OR IDENTIFYING NO. | QTY. REQ. |
|----------|--|-------------------------|-----------|
| 1 | NUT, 3/8-16 HEX | 2 | 101188 |
| 2 | SCREW, 10-24 X 1/2 PAN HEAD PHILLIPS MACHINE | 4 | 151744 |
| 3 | NUT, 10-24 HEX | 2 | 151749 |
| 4 | WASHER, 5/16 SAE FLAT | 2 | 151754 |
| 5 | WASHER, 1/4 SAE FLAT | 2 | 151915 |
| 6 | SCREW, 1/4-20 X 3/4 HEX HEAD MACHINE | 2 | 152370 |
| 7 | SCREW, 5/16-18 X 1-1/2 HEX HEAD MACHINE | 2 | 152467 |
| 8 | WASHER, 1/4 SPLIT LOCK | 2 | 152591 |
| 9 | WASHER, #10 SPLIT LOCK | 6 | 153684 |
| 10 | SCREW, PAN HD PHIL MS 10-24X3/4 | 2 | 156641 |
| 11 | SCREW, 5/16 - 18 X 3/8 SOCKET HEAD SET | 1 | 157084 |
| 12 | NUT, 5/16-18 NYLOK HEX | 2 | 158289 |
| 13 | BRACKET, FNR CONTROL | 1 | 162634 |
| 14 | CLAMP, 30 SERIES CONDUIT | 1 | 162860 |
| 15 | JOURNAL, FNR CONTROL | 1 | 162889 |
| 16 | WASHER, 2.0 X .812 X .088 NYLON | 1 | 162890 |
| 17 | BRACKET, FNR PIVOT | 1 | 162891 |
| 18 | SPRING, 1.50 X .755 X .045, DISK | 1 | 162892 |
| 19 | SCREW, 3/4 X 1/2 SOCKET HEAD SHOULDER | 1 | 162893 |
| 20 | HANDLE, FNR GRIP | 1 | 167227 |
| 21 | BAR, FNR HANDLE | 1 | 167228 |
| 22 | BLOCK, FNR HANDLE | 1 | 167229 |
| 23 | PLATE, FNR CABLE | 1 | 167230 |
| 24 | BRACKET, FNR SPRING | 1 | 167231 |

FIGURE 19 - PARTS LIST: ASSY, UP/DOWN CONTROL P/N 167233



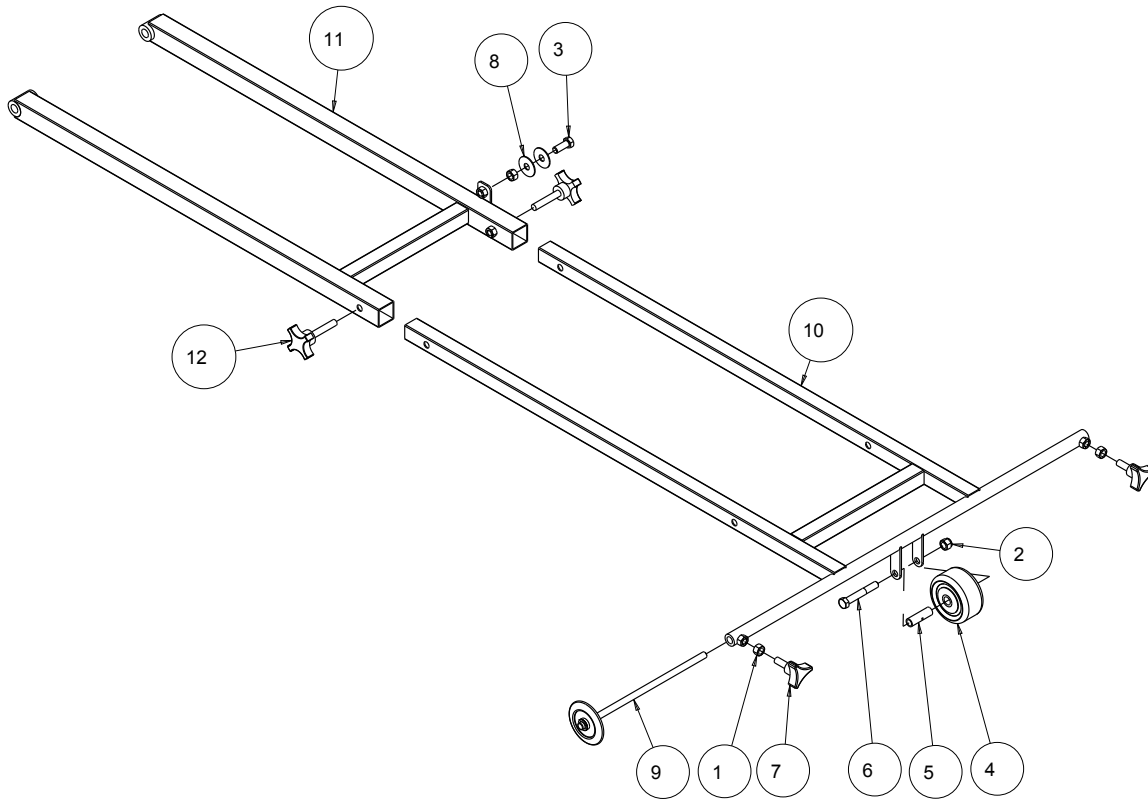
| ITEM NO. | DESCRIPTION | PART # | QTY. REQ. |
|----------|-------------------------------------|--------|-----------|
| 1 | WASHER, 3/8 SAE FLAT | 150923 | 2 |
| 2 | NUT, 10-24 HEX | 151749 | 2 |
| 3 | WASHER, 1/4 SAE FLAT | 151915 | 2 |
| 4 | ELBOW, 3/8 NPT STREET | 152074 | 1 |
| 5 | SCREW, HEX HD CAP, 1/4-20 X 1 | 152676 | 2 |
| 6 | NUT, HEX W/WSHR, 1/4-20 | 153941 | 3 |
| 7 | WASHER, #10 SAE FLAT | 154369 | 1 |
| 8 | SCREW , SOC HD CAP, 1/4- 20 X 1 | 154683 | 1 |
| 9 | NUT, HEX 10-32 | 156269 | 2 |
| 10 | SCREW, 10-32 X 1 HEX HEAD CAP | 156270 | 1 |
| 11 | SCREW, PAN HD PHIL MS 10-24X3/4 | 156641 | 1 |
| 12 | WASHER #10, INTERNAL TEETH | 158336 | 2 |
| 13 | NUT, HEX, NYLK, 1/4-28 | 163936 | 1 |
| 14 | CAP, PUSH-ON, VINYL, 1 X 1/4 | 167216 | 1 |
| 15 | VALVE, 3/8 ANGLE NEEDLE | 167234 | 1 |
| 16 | HANDLE, UP/DOWN CONTROL | 167235 | 1 |
| 17 | PLATE, UP/DOWN ADJ | 167236 | 1 |
| 18 | ARM, DEPTH CONTROL ADJ | 167237 | 1 |
| 19 | WASHER, 5/16 FLANGED PLASTIC | 167238 | 2 |
| 20 | FITTING, 3/8 MNPT X 1/4 BARB, BRASS | 167239 | 1 |
| 21 | FITTING, 3/8 NPT X 3/8 JIC | 167240 | 1 |
| 22 | SPRING, EXT, .300D X .037WD X 3/4L | 167241 | 1 |

FIGURE 20 - PARTS LIST: ASSY, WATER VALVE P/N 164161



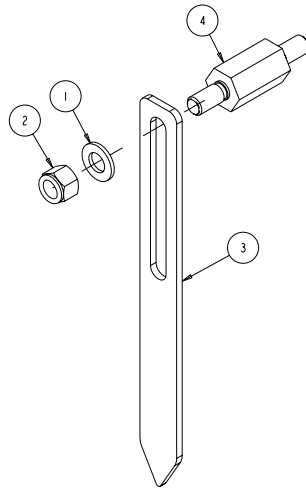
| ITEM NO. | DESCRIPTION | PART # | QTY. REQ. |
|----------|---------------------------------|--------|-----------|
| 1 | ELBOW, 1/2 MNPT 90 STREET, GALV | 1 | 150848 |
| 2 | FITTING, 1/2 MNPT X 3/8 BARB | 2 | 153653 |
| 3 | VALVE, BALL 1/2" | 1 | 153796 |
| 4 | SCREW, PAN HD PHIL 10-24 X 5/16 | 2 | 159494 |
| 5 | BRACKET, WATER VALVE | 1 | 162650 |

FIGURE 21 - PARTS LIST: ASSY, POINTER, FRONT P/N 169111



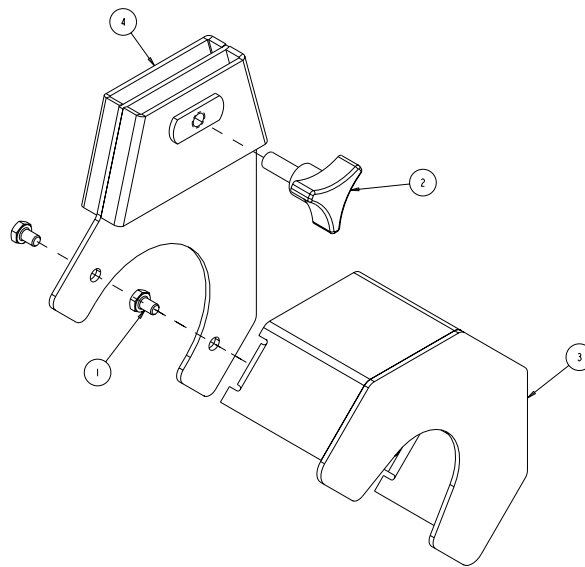
| ITEM NO. | DESCRIPTION | PART # | QTY. REQ. |
|----------|------------------------------------|--------|-----------|
| 1 | NUT, 3/8-16 HEX | 101188 | 2 |
| 2 | NUT, 3/8-16 NYLOK HEX | 152505 | 1 |
| 3 | SCREW, HEX HD CAP, 3.8-16 X 1 | 152507 | 1 |
| 4 | WHEEL, POINTER, 3" | 155066 | 1 |
| 5 | BUSHING, 3/8 ID X 1-5/8L | 155153 | 1 |
| 6 | SCREW, 3/8-16 X 2-1/2 HEX HEAD CAP | 156030 | 1 |
| 7 | KNOB, 3 PRONG 3/8-16 X 1 | 156175 | 2 |
| 8 | WASHER, FENDER, 3.8 ID X 1-1/2 OD | 163269 | 2 |
| 9 | ASSY, POINTER WHEEL | 165238 | 1 |
| 10 | POINTER ARM, UPPER | 169112 | 1 |
| 11 | POINTER ARM, LOWER | 169113 | 1 |
| 12 | KNOB, 4 PRONG 3/8 - 16 X 2 | 169114 | 2 |

FIGURE 22 - PARTS LIST: ASSY, REAR POINTER P/N 163824



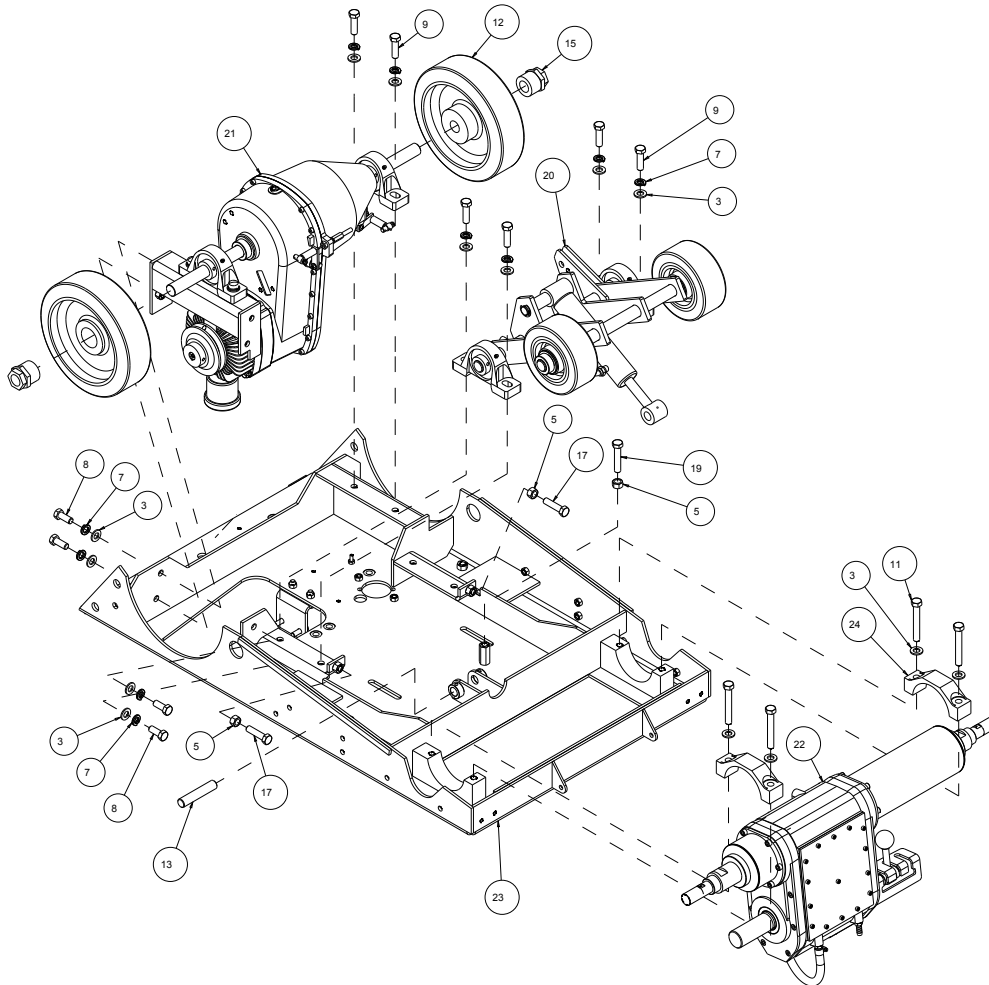
| ITEM NO. | DESCRIPTION | PART # | QTY. REQ. |
|----------|-------------------------|--------|-----------|
| 1 | WASHER, 1/2 SAE FLAT | 150924 | 1 |
| 2 | NUT, 1/2 - 13 NYLOK HEX | 155162 | 1 |
| 3 | ARM, REAR POINTER | 160951 | 1 |
| 4 | STANDOFF, REAR POINTER | 163825 | 1 |

FIGURE 23 - PARTS LIST: ASSY, SHAFT GUARD P/N 166056



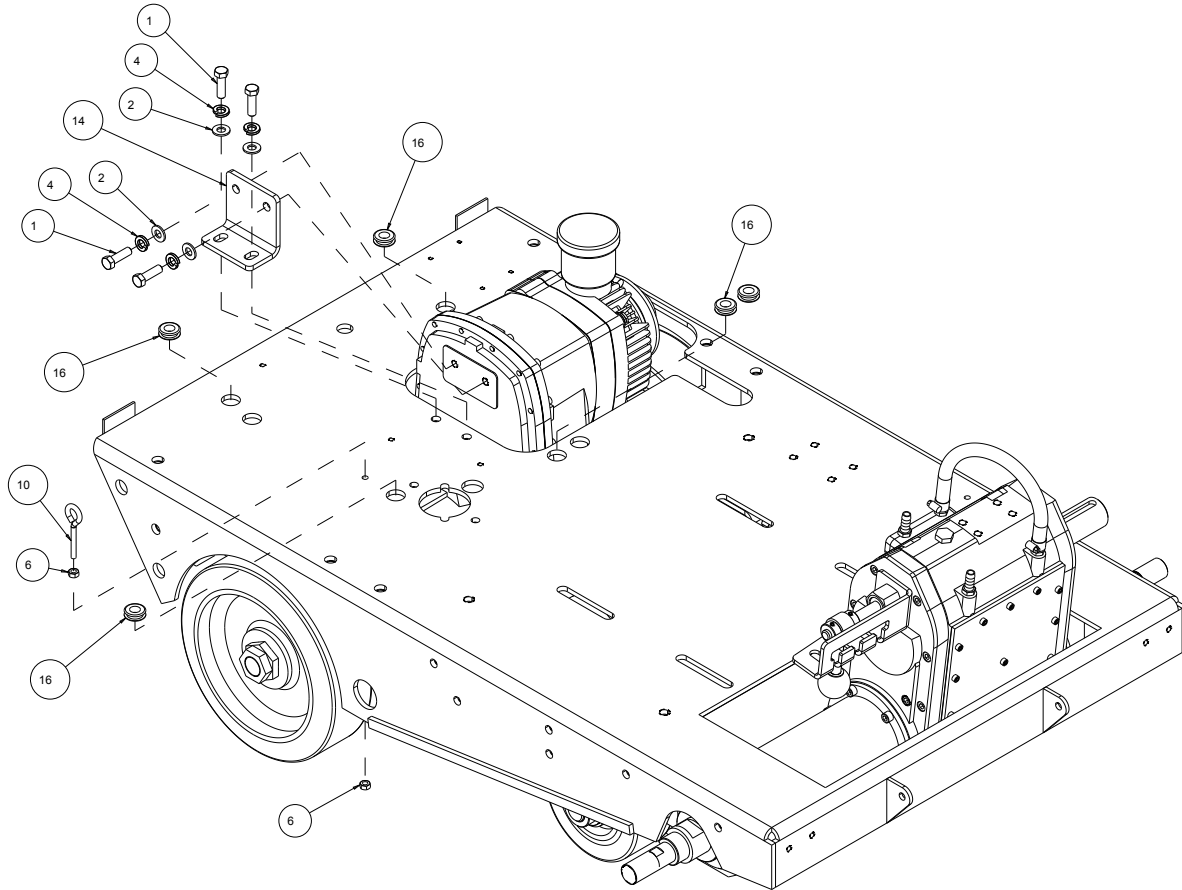
| ITEM NO. | DESCRIPTION | PART # | QTY. REQ. |
|----------|------------------------------|--------|-----------|
| 1 | SCREW, HEX HD 1/4 - 20 X 3/8 | 153526 | 2 |
| 2 | KNOB, 3 PRONG 3/8 - 16 X 1 | 156175 | 1 |
| 3 | GUARD, SHAFT | 161109 | 1 |
| 4 | BACK PLATE, SHAFT GUARD | 166057 | 1 |

FIGURE 24 - PARTS LIST: ASSY, FRAME SUB P/N 168904



| ITEM NO. | DESCRIPTION | PART # | QTY. REQ. |
|----------|--|--------|-----------|
| 1 | SCREW, 3/8 - 16 X 1 -1/4 HEX HEAD CAP | 150774 | 4 |
| 2 | WASHER, FLAT, SAE, 3/8 | 150923 | 4 |
| 3 | WASHER, 1/2 SAE FLAT | 150924 | 14 |
| 4 | WASHER, LOCK, SPLIT, 3/8 | 150925 | 4 |
| 5 | NUT, 1/2 - 13 HEX | 151282 | 3 |
| 6 | NUT, HEX, 1/4 - 20 | 151893 | 2 |
| 7 | WASHER, 1/2 SPLIT LOCK | 153524 | 10 |
| 8 | SCREW, 1/2 - 13 X 1 -1/4 HEX HEAD CAP | 153532 | 4 |
| 9 | SCREW, 1/2 - 13 X 1 -3/4 HEX HEAD CAP | 153853 | 6 |
| 10 | EYEBOLT, 1/4 - 20 X 2 | 153887 | 1 |
| 11 | SCREW, HEX HD, TAP, 1/2 - 13 X 3 - 1/2 | 158284 | 4 |
| 12 | WHEEL, 10 X 3 REAR | 160960 | 2 |
| 13 | PIN, Ø 3/4 X 3-1/2 13 X 3 - 1/2 CLEVIS | 161164 | 1 |
| 14 | BRACKET, TRANSMISSION | 161240 | 1 |

FIGURE 24 - PARTS LIST: ASSY, FRAME SUB P/N 168904



| ITEM NO. | DESCRIPTION | PART # | QTY. REQ. |
|----------|---------------------------------------|--------|-----------|
| 15 | BUSHING, 1" KEYLESS HUB | 161244 | 2 |
| 16 | GROMMET, 1/2 X 1.0 | 162493 | 4 |
| 17 | BOLT, 1/2 - 13 X 2.0 HEX HEAD TAP | 162598 | 2 |
| 18 | GREASE, MOBIL XHP222, 2 OX. | 162604 | 1 |
| 19 | BOLT, 1/2 - 13 X 2 - 1/2 HEX HEAD TAP | 162605 | 1 |
| 20 | ASSY, TRUCK FRT PIVOT | 165705 | 1 |
| 21 | ASSY, TRANSMISSION | 167198 | 1 |
| 22 | ASSY, GEARBOX, 3-SPEED | 167699 | 1 |
| 23 | FRAME, WELDMENT MAIN | 168899 | 1 |
| 24 | CAP, GEARBOX MOUNT | 169456 | 2 |

FIGURE 25 - PARTS LIST: ASSY, GEARBOX P/N 167699

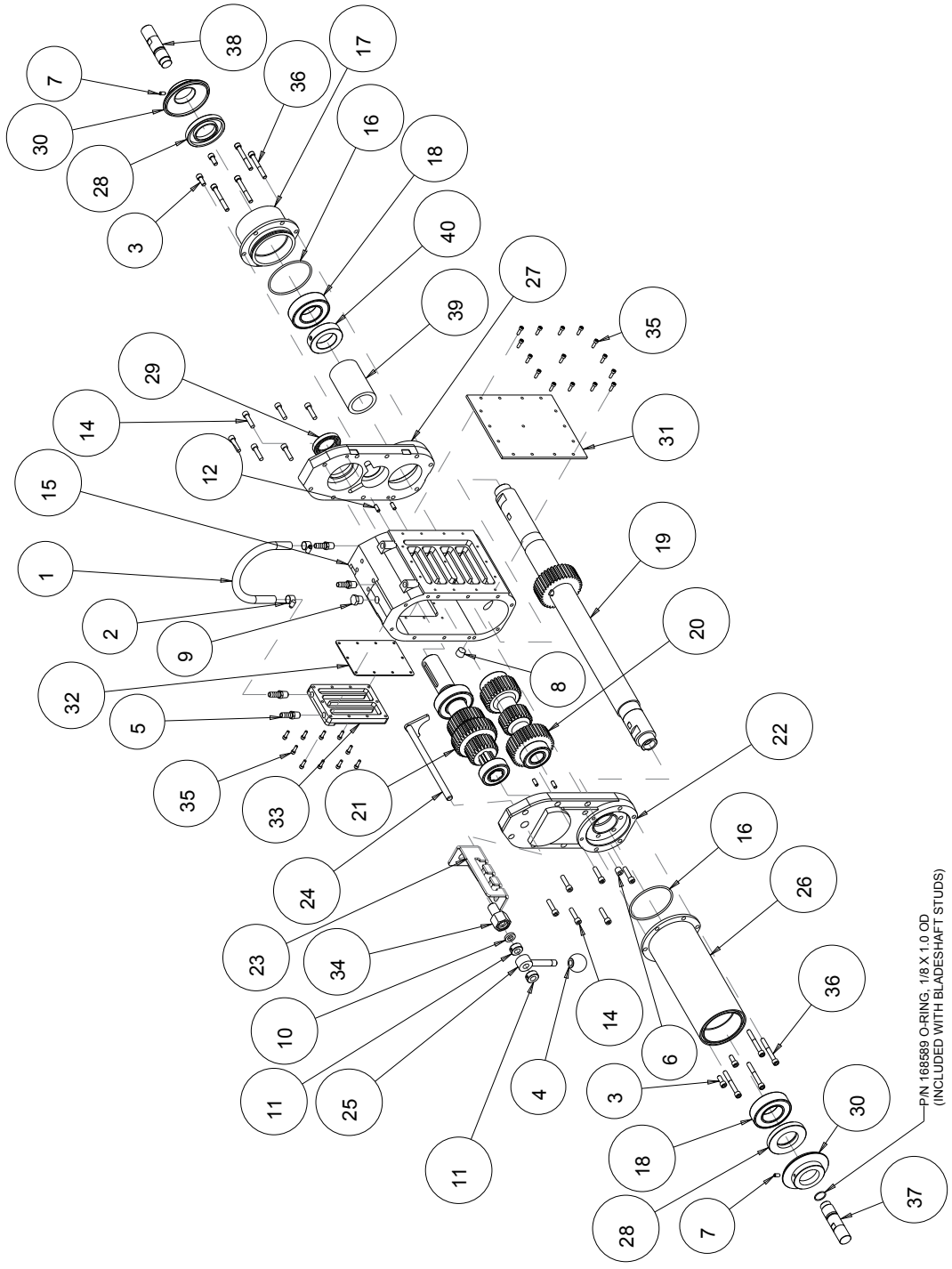
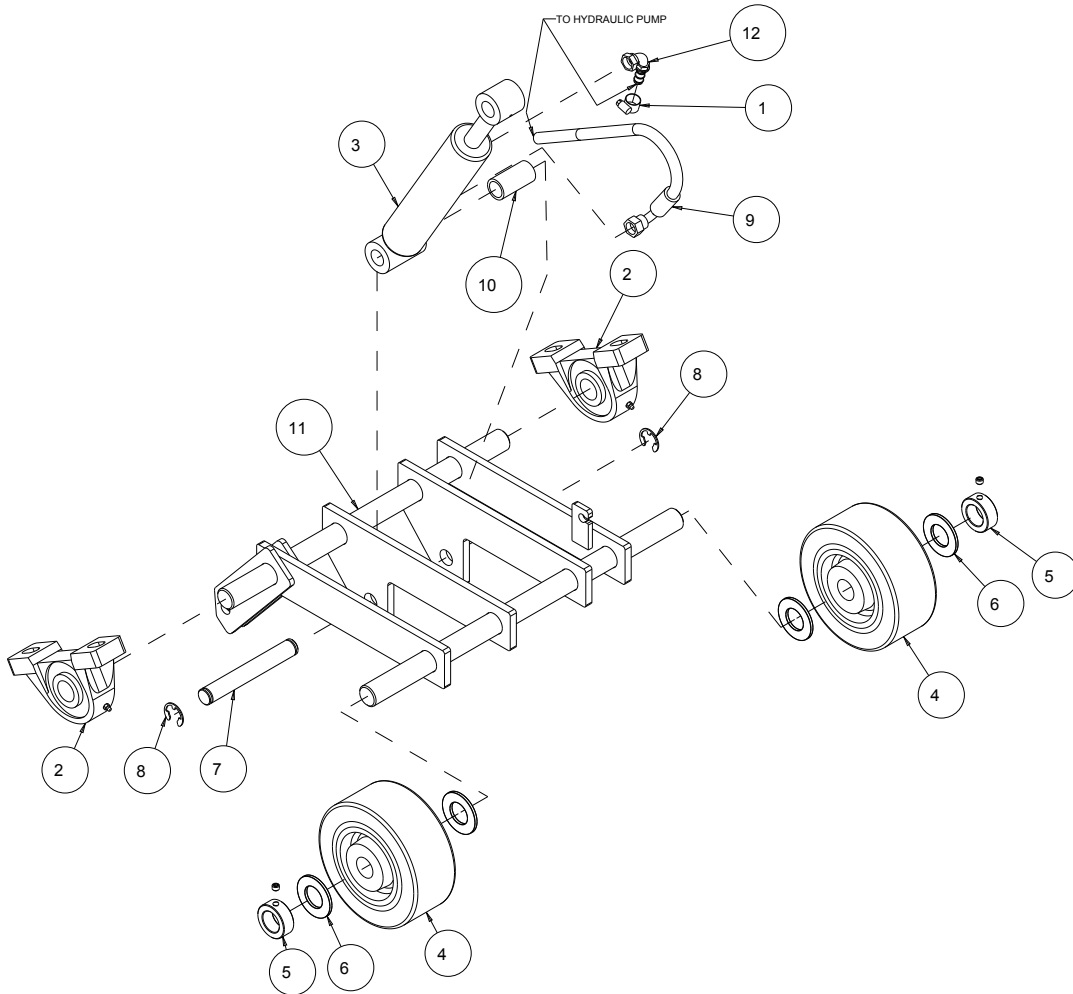


FIGURE 25 - PARTS LIST: ASSY, GEARBOX P/N 167699

| ITEM NO. | DESCRIPTION | PART # | QTY. REQ. |
|----------|--|--------|-----------|
| 1 | HOSE, 3/8 X 5/8 VINYL, 12" | 150845 | 1 |
| 2 | CLAMP, 5/8 HOSE | 151198 | 2 |
| 3 | SCREW, SOC HD, 5/16 - 18 X 3/4 | 152444 | 4 |
| 4 | KNOB, 1/2 - 20 FEM BALL | 154486 | 1 |
| 5 | FITTING, 1/4 MNPT X 3/8 BARB | 154659 | 4 |
| 6 | PLUG, 1/4NPT HEX SOCKET | 154679 | 1 |
| 7 | SCREW, 1/4 - 20 X 1/2 SOCKET HEAD SET | 155804 | 2 |
| 8 | PLUG, 3/8NPT HEX SOCKET, GALV | 161208 | 1 |
| 9 | PLUG, 3/8NPT BRONZE BREATHER | 161209 | 1 |
| 10 | SEAL, OIL, 1/2 X 7/8 X 3/16 | 161270 | 1 |
| 11 | COLLAR, SHAFT, 1/2 | 162633 | 2 |
| 12 | PIN, 1/4 X 5/8 DOWEL | 162849 | 4 |
| 13 | SEALANT, HI-TEMP FORM - A - GASKET | 164972 | 1 |
| 14 | SCREW, 5/16 - 18 X 1-1/2 SOCKET HEAD CAP | 165243 | 12 |
| 15 | CASTING, GEARBOX MAIN, COMP | 167701 | 1 |
| 16 | O-RING, 1/8 X 3-1/2OD | 167702 | 2 |
| 17 | HOUSING, SHAFT, LHS, 3S - GBX | 167703 | 1 |
| 18 | BEARING, SPHERICAL ROLLER, 40 X 80 X 23 | 167704 | 2 |
| 19 | ASSY, GEARED BLADE SHAFT | 167706 | 1 |
| 20 | ASSY, GEARED IDLER SHAFT | 167711 | 1 |
| 21 | ASSY, GEARED INPUT SHAFT | 167714 | 1 |
| 22 | CASTING, END, 3S - GBX, COMP | 167722 | 1 |
| 23 | BRACKET, SHIFTER, 3S - GBX | 167724 | 1 |
| 24 | FORK, SHIFT, 3S - GBX | 167725 | 1 |
| 25 | LEVER, SHIFT, 3S - GBX | 167726 | 1 |
| 26 | HOUSING, SHAFT, LONG | 167727 | 1 |
| 27 | CASTING, LH END, 3S - GBX, COMP | 167730 | 1 |
| 28 | SEAL, OIL, 45MM X 85MM | 167735 | 2 |
| 29 | SEAL, OIL, 45MM X 80MM | 167736 | 1 |
| 30 | SHIELD, BEARING CONE | 167739 | 2 |
| 31 | PLATE, FRONT, GEARBOX - COMP | 167744 | 1 |
| 32 | PLATE, GEARBOX BACK | 167745 | 1 |
| 33 | CASTING, GEARBOX BACK, COMP | 167747 | 1 |
| 34 | BUSHING, SHIFTER FORK | 167748 | 1 |
| 35 | SCREW, SOC HD, 10 - 24 X 5/8 | 167758 | 25 |
| 36 | SCREW, SOC HD, 5/16 - 18 X 2 - 1/4 | 167760 | 8 |
| 37 | STUD, BLADESHAFT, LH THREAD | 168587 | 1 |
| 38 | STUD, BLADESHAFT, RH THREAD | 168588 | 1 |
| 39 | SPACER, GEAR BEARING | 169770 | 1 |
| 40 | COLLAR, SHAFT, 45MM | 169771 | 1 |

FIGURE 26 - PARTS LIST: ASSY, TRUCK, FRT PIVOT P/N 165705



| ITEM NO. | DESCRIPTION | PART OR IDENTIFYING NO. | QTY. REQ. |
|----------|------------------------------|-------------------------|-----------|
| 1 | CLAMP, HORSE, 5/8 | 151198 | 1 |
| 2 | BEARING, 1.0 ID PILLOW BLOCK | 157924 | 2 |
| 3 | CYLINDER, 4" HYDRAULIC | 160846 | 1 |
| 4 | WHEEL, 6 X 2-1/2 X I | 160848 | 2 |
| 5 | COLLAR, 1.0 SHAFT | 160849 | 2 |
| 6 | WASHER, 1 SAE FLAT | 160851 | 4 |
| 7 | PIN, Ø3/4 X 5 CLEVIS | 160961 | 1 |
| 8 | RING, .75 E-STYLE RETAINING | 161163 | 2 |
| 9 | HOSE, 1/4NPT X 9/16JIC90 HYD | 162600 | 1 |
| 10 | SPACER, 1.0 X .75 X 1.94 | 164046 | 1 |
| 11 | TRUCK, FRONT PIVOT | 165704 | 1 |
| 12 | ELBOW, 3/8 FJIC X 3/8 BARB | 170388 | 1 |

FIGURE 27 - PARTS LIST: ASSY, TRANSMISSION P/N 167198

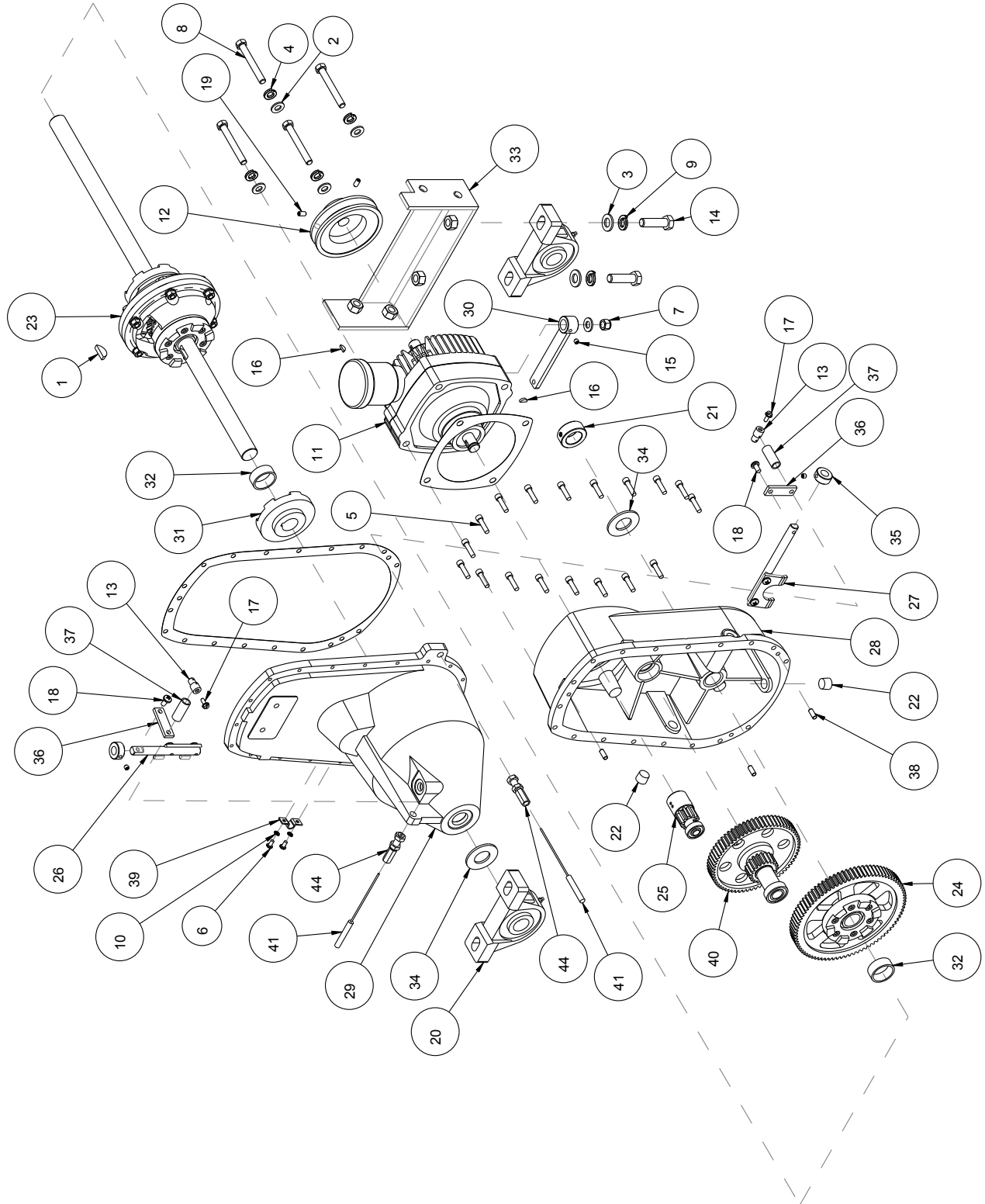


FIGURE 28 - PARTS LIST: ASSY, TRANSMISSION P/N 167198

| ITEM NO. | DESCRIPTION | PART | QTY. REQ. |
|----------|---|--------|-----------|
| 1 | KEY, 1/4 X 1 WOODRUFF | 150795 | 1 |
| 2 | WASHER, 3/8 SAE FLAT | 150923 | 5 |
| 3 | WASHER, 1/2 SAE FLAT | 150924 | 2 |
| 4 | WASHER, 3/8 SPLIT LOCK | 150925 | 4 |
| 5 | SCREW, SOC HD CAP, 1/4-20 X 1 | 151049 | 18 |
| 6 | SCREW, 10-24 X 3/8 PAN HEAD PHILLIPS MACHINE | 151097 | 2 |
| 7 | NUT, 3/8-16 NYLOK HEX | 152505 | 1 |
| 8 | SCREW, 3/8-16 X 3 HEX HEAD CAP | 153113 | 4 |
| 9 | WASHER, 1/2 SPLIT LOCK | 153524 | 2 |
| 10 | WASHER, #10 SPLIT LOCK | 153684 | 2 |
| 11 | PUMP, TRANSMISSION | 153783 | 1 |
| 12 | PULLEY, A4.0 X 17mm BORE OFFSET | 153826 | 1 |
| 13 | PIN, WIRE STOP | 153842 | 2 |
| 14 | SCREW, 1/2-13 X 1-3/4 HEX HEAD CAP | 153853 | 2 |
| 15 | SCREW, SET CNE PT 1/4 -20 X 1/4 | 153864 | 1 |
| 16 | KEY, WOODRUFF, 1/8 X 1/2 | 153865 | 2 |
| 17 | SCREW, HEX HD FL 10-24X 5/16 | 154172 | 2 |
| 18 | SCREW, 1/4-20 X 1/2 PAN HEAD PHILLIPS MACHINE | 155452 | 2 |
| 19 | SCREW, 1/4-20 X 1/2 SOCKET HEAD SET | 155804 | 2 |
| 20 | BEARING, 1.0 ID PILLOW BLOCK | 157924 | 2 |
| 21 | COLLAR, 1.0 SHAFT | 160849 | 1 |
| 22 | PLUG, 3/8 NPT HEX SOCKET, GALV | 161208 | 2 |
| 23 | ASSY, DIFFERENTIAL | 161232 | 1 |
| 24 | ASSY, ENGAGEMENT GEAR | 161233 | 1 |
| 25 | ASSY, PUMP PINION | 161235 | 1 |
| 26 | ASSY, TRANS FORK 2 | 161236 | 1 |
| 27 | ASSY, TRANS FORK I | 161237 | 1 |
| 28 | ASSY, TRANS CASE I | 161248 | 1 |
| 29 | ASSY, TRANS CASE 2 | 161250 | 1 |
| 30 | LEVER, TRANS CONTROL | 161263 | 1 |
| 31 | PLATE, LOCKER, KEYED | 161264 | 1 |
| 32 | SPRING, I .50D X 1.3 COMPRESSION | 161279 | 2 |
| 33 | BRIDGE, TRANS BEARING | 161311 | 1 |
| 34 | BEARING, I X 2 X 1/8 BRONZE THRUST | 162623 | 2 |
| 35 | COLLAR, 1/2 SHAFT | 162633 | 2 |
| 36 | LEVER, TRANS FORK | 162673 | 2 |
| 37 | SPRING, .56 OD X 1.38 COMPRESSION | 162829 | 2 |
| 38 | PIN, 1/4 X 5/8 DOWEL | 162849 | 3 |
| 39 | CLAMP, 30 SERIES CONDUIT | 162860 | 1 |
| 40 | ASSY, CHANGE GEAR | 162883 | 1 |
| 41 | CABLE, T2L CONTROL, L (COMP) | 163935 | 2 |
| 42 | OIL, 80-90 SAE GEAR | 164971 | 1 |
| 43 | SEALANT, HI-TEMP FORM-A-GASKET | 164972 | 1 |
| 44 | FITTING, THROTTLE CABLE END | 169042 | 2 |
| 45 | GASKET SET, TRANSMISSION | 169465 | 1 |
| 46 | SEALANT, GASKET, PT #2 (0.5 OZ) | 169466 | 1 |

FIGURE 31 - PARTS LIST: ASSY, 30" BLADE GUARD P/N 168279-30-WH

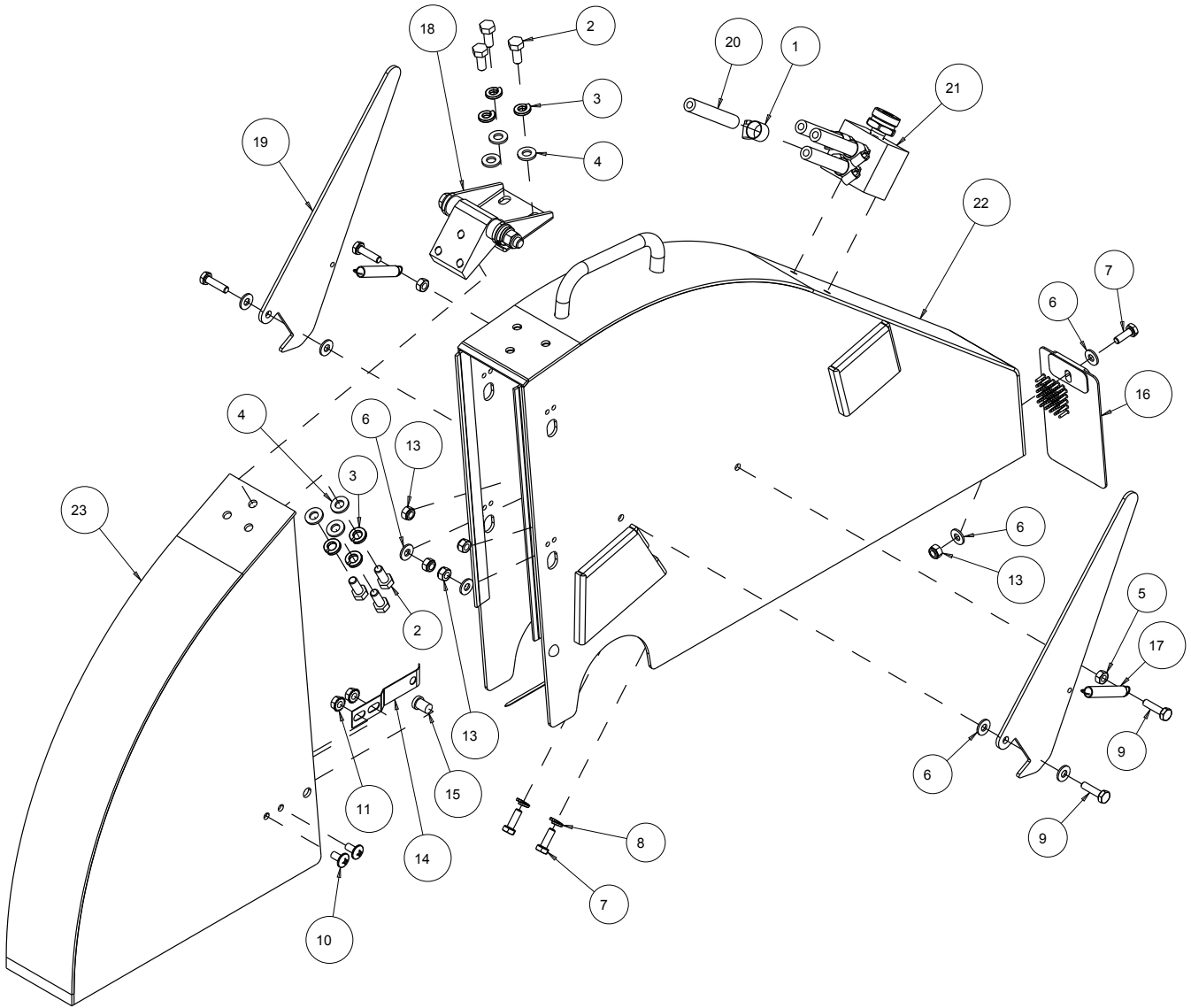
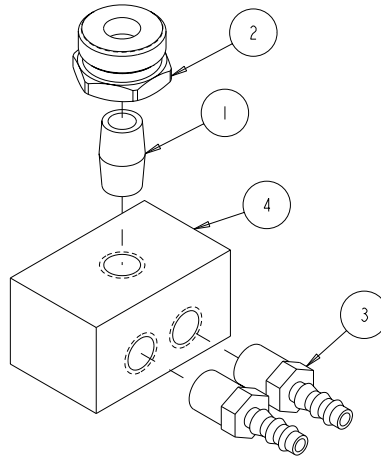


FIGURE 31 - PARTS LIST: ASSY, 30" BLADE GUARD P/N 168279-30-WH

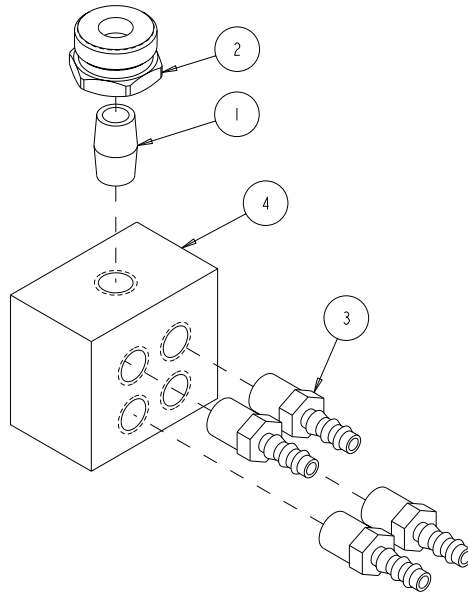
| ITEM NO. | DESCRIPTION | PART # | QTY. REQ. |
|----------|---------------------------------------|--------------|-----------|
| 1 | CLAMP, 5/8 HOSE | 151198 | 2 |
| 2 | SCREW, 5/16-18 X 3/4 HEX HEAD MACHINE | 151369 | 6 |
| 3 | WASHER, LOCK, SPLIT, 5/16 | 151747 | 6 |
| 4 | WASHER, 5/16 SAE FLAT | 151754 | 6 |
| 5 | NUT, 1/4-20 HEX | 151893 | 2 |
| 6 | WASHER, 1/4 SAE FLAT | 151915 | 8 |
| 7 | SCREW, 1/4-20 X 3/4 HEX HEAD MACHINE | 152370 | 3 |
| 8 | WASHER, 1/4 SPLIT LOCK | 152591 | 2 |
| 9 | SCREW, HEX HD CAP, 1/4-20 X 1 | 152676 | 4 |
| 10 | SCREW, 1/4-20 X 1/2 TRUSS HEAD | 153880 | 2 |
| 11 | NUT, HEX W/WSHR, 1/4-20 | 153941 | 2 |
| 12 | TIE, NYLON CABLE, 1/8 X 4, BLACK | 158528 | 4 |
| 13 | NUT, 1/4-20 NYLOK | 159857 | 5 |
| 14 | LOCK, BLADE GUARD | 159998 | 1 |
| 15 | BUTTON, RELEASE | 159999 | 1 |
| 16 | GUARD, SPLASH | 160310 | 1 |
| 17 | SPRING, EXTENSION | 160875 | 2 |
| 18 | ASSY, HINGE | 163979 | 1 |
| 19 | LATCH, 30" BLADE GUARD | 165874 | 2 |
| 20 | HOSE, VINYL, 1/4 X 1/2 (24"L) | 167620 | 4 |
| 21 | ASSY, WATER MANIFOLD, 4T | 167625 | 1 |
| 22 | GUARD, 30" FRONT BLADE | 168277-30-WH | 1 |
| 23 | GUARD, 30" REAR BLADE | 168278-30-WH | 1 |

FIGURE 33 - PARTS LIST: ASSY, WATER MANIFOLD, 2T P/N 167624



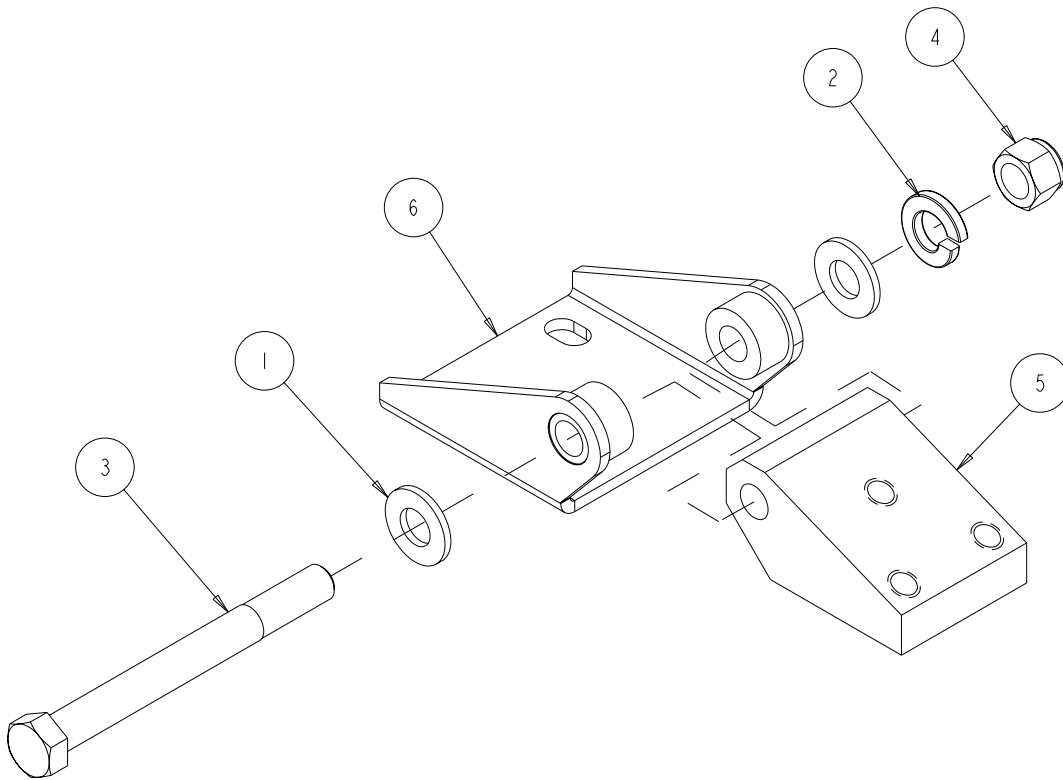
| ITEM NO. | DESCRIPTION | PART # | QTY. REQ. |
|----------|--------------------------------------|--------|-----------|
| 1 | NIPPLE, 1/4 NPT X CLOSE, BRASS | 159905 | 1 |
| 2 | FITTING, 3/4 X 11.5 MNH X 1/4 FNPT | 163992 | 1 |
| 3 | FITTING, PUSH ON HOSE 1/4 X 1/4 MALE | 165183 | 2 |
| 4 | MANIFOLD, WATER, 2 TUBE | 167622 | 1 |

FIGURE 34 - PARTS LIST: ASSY, WATER MANIFOLD, 4T P/N 167625



| ITEM NO. | DESCRIPTION | PART # | QTY. REQ. |
|----------|--------------------------------------|--------|-----------|
| 1 | NIPPLE, 1/4 NPT X CLOSE, BRASS | 159905 | 1 |
| 2 | FITTING, 3/4 X 11.5 MNH X 1/4 FNPT | 163992 | 1 |
| 3 | FITTING, PUSH ON HOSE 1/4 X 1/4 MALE | 165183 | 4 |
| 4 | MANIFOLD, WATER, 4 TUBE | 167623 | 1 |

FIGURE 35 - PARTS LIST: ASSY, HINGE P/N 163979



| ITEM NO. | DESCRIPTION | PART # | QTY. REQ. |
|----------|-----------------------------------|--------|-----------|
| 1 | WASHER, 3/8 SAE FLAT | 150923 | 2 |
| 2 | WASHER, 3/8 SAE LOCK | 150925 | 1 |
| 3 | SCREW, 38 - 16 X 3-3/4 HEX HD CAP | 152504 | 1 |
| 4 | NUT, 3/8 - 16 X 3 NYLOK HEX | 152505 | 1 |
| 5 | PLATE, FRONT HINGE | 163977 | 1 |
| 6 | PLATE, REAR HINGE | 163978 | 1 |